

SI UNITS (mm)					
NOMINAL SIZE	B	C	COIL CONNECTIONS		
			1 row	1 row	2,3,4 rows
			standard	H.C.	
4,5,6	305	203	13	13	22
7,8	305	254	13	13	22
9,10	356	318	22	13	22
12	406	381	22	13	22
14	508	445	22	13	22
16	610	457	22	22	22
24x16	965	457	22	22	22

IMPERIAL UNITS (inches)					
NOMINAL SIZE	B	C	COIL CONNECTIONS		
			1 row	1 row	2,3,4 rows
			standard	H.C.	
4,5,6	12	8	1/2	1/2	7/8
7,8	12	10	1/2	1/2	7/8
9,10	14	12 1/2	7/8	1/2	7/8
12	16	15	7/8	1/2	7/8
14	20	17 1/2	7/8	1/2	7/8
16	24	18	7/8	7/8	7/8
24x16	38	18	7/8	7/8	7/8

**REFER TO SUBMITTAL 260234 FOR OVERSIZED CASING OPTION DIMENSIONS.

NOTES:

- FABRICATED FROM 22 GA. GALVANIZED STEEL MECHANICALLY SEALED, LEAK RESISTANT CONSTRUCTION.
- HOT WATER COILS HAVE COPPER TUBES AND ALUMINUM FINS WITH O.D. SWEAT CONNECTIONS.
- REFER TO SUBMITTED TERMINAL UNIT SCHEDULE FOR AIR VOLUMES AND REHEAT COIL CAPACITIES.
- METHOD OF VENTING REHEAT COIL IS TO BE PROVIDED BY INSTALLING CONTRACTOR.
- HAND OF WATER COIL CONNECTIONS IS DETERMINED WHEN VIEWED FROM AIR INLET SIDE WITH ACCESS DOOR ON BOTTOM. RIGHT HAND COIL CONNECTION ILLUSTRATED ABOVE.
- ALLOW 1 1/2" (38) MINIMUM CLEARANCE FOR INSTALLATION AT THIS END.
- CONFIGURATION OF COIL CONNECTION VARIES WITH SIZE & CIRCUITRY OF COIL.
- PERFORMANCE RATED AND CERTIFIED IN ACCORDANCE WITH THE CURRENT EDITION OF ARI STANDARD 410.
- STANDARD COILS SUPPLIED WITH 10 FINS PER INCH.
- IT IS NOT RECOMENDED TO REVERSE 3 & 4 ROW COILS. INDICATE HANDING WHILE ORDERING.

OPTIONS:

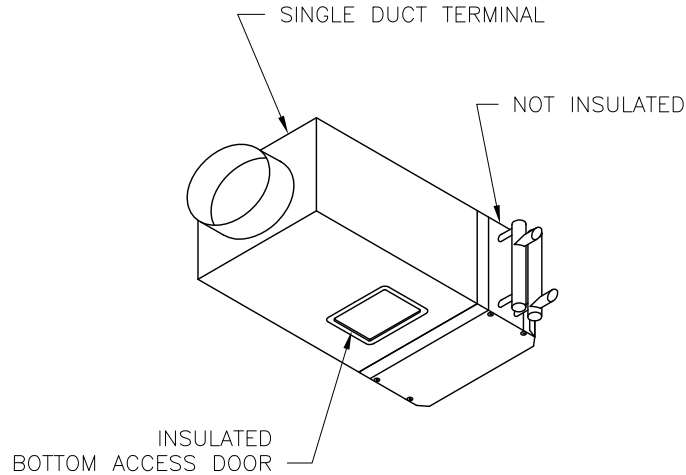
HC (HIGH CAPACITY) WATER COIL

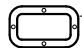

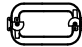
**HIGH CAPACITY COIL SUPPLIED WITH 12 FINS PER INCH. 1 AND 2 ROW COILS AVAILABLE.

ALL METRIC DIMENSIONS () ARE SOFT CONVERTED. IMPERIAL DIMENSIONS ARE CONVERTED TO METRIC AND ROUNDED TO THE NEAREST MILLIMETER.

PROJECT:		PRICE [®]	
ENGINEER:		BG	HOT WATER COILS SINGLE DUCT TERMINALS
CUSTOMER:		200911	
SUBMITTAL DATE:	SPEC. SYMBOL:	2012/04/20	

**SINGLE DUCT TERMINAL
WITH WATER COIL AND
COIL ACCESS DOOR**



-  AD – COIL ACCESS DOOR
W/SCREWS
4" (102) x 6 3/4" (171)
-  ADL – COIL ACCESS DOOR
W/SNAP LATCHES
4" (102) x 6 3/4" (171)
-  ADQ – COIL ACCESS DOOR
W/QUARTER TURN SASH LATCHES
4" (102) x 6 3/4" (171)

NOTES:

1. BOTTOM ACCESS DOOR FOR INSPECTION AND MAINTENANCE OF COIL IS FEATURED.
(SEE OPTIONS FOR SPECIFIC LOCATION AND FASTENERS).
2. 3/4" (19) THICK, 22 GA GALVANIZED STEEL CONSTRUCTION, INTERNALLY INSULATED.
3. DUAL WALL CONSTRUCTION (NOT PROVIDED FOR FF LINERS).
4. GASKETED PERIMETER & 4 SCREWS PROVIDED AS STANDARD CONSTRUCTION.

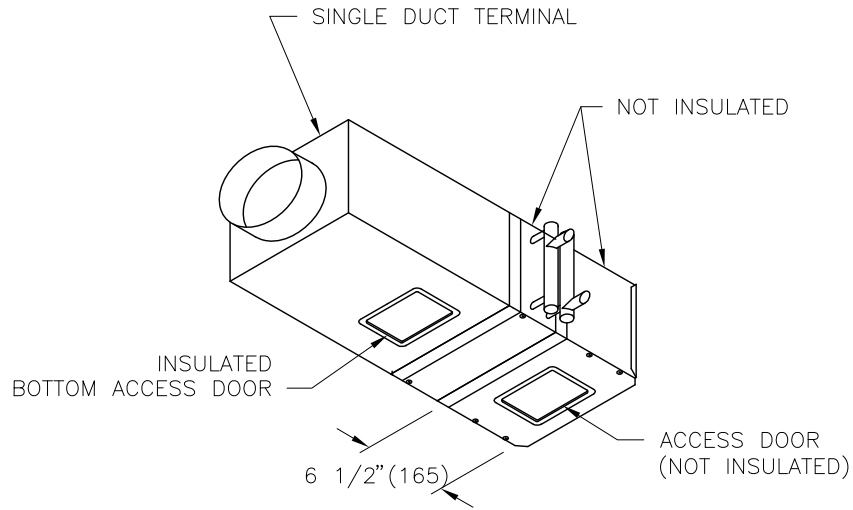
OPTIONS:

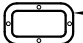
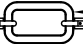
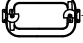
- TB – TOP & BOTTOM ACCESS DOORS

ALL METRIC DIMENSIONS () ARE SOFT CONVERTED. IMPERIAL DIMENSIONS ARE CONVERTED TO METRIC AND ROUNDED TO THE NEAREST MILLIMETER.

PROJECT:		PRICE [®]	
ENGINEER:		BG	HOT WATER COILS SINGLE DUCT TERMINALS WITH COIL ACCESS DOORS
CUSTOMER:		200911	
SUBMITTAL DATE:	SPEC. SYMBOL:	2011/06/27	

**SINGLE DUCT TERMINAL
WITH WATER COIL AND
DUAL COIL ACCESS DOORS**



-  ADD - COIL ACCESS DOOR
W/SCREWS
4" (102) x 6 3/4" (171)
-  ADDL - COIL ACCESS DOOR
W/SNAP LATCHES
4" (102) x 6 3/4" (171)
-  ADDQ - COIL ACCESS DOOR
W/QUARTER TURN SASH LATCHES
4" (102) x 6 3/4" (171)

NOTES:

1. BOTTOM ACCESS DOOR FOR INSPECTION AND MAINTENANCE OF COIL IS FEATURED. (SEE OPTIONS FOR SPECIFIC LOCATION AND FASTENERS).
2. 3/4" (19) THICK, 22 GA GALVANIZED STEEL CONSTRUCTION, INTERNALLY INSULATED.
3. DUAL WALL CONSTRUCTION (NOT PROVIDED FOR FF LINERS).
4. GASKETED PERIMETER & 4 SCREWS PROVIDED AS STANDARD CONSTRUCTION.
5. DOWNSTREAM COIL ACCESS DOOR NOT INSULATED.

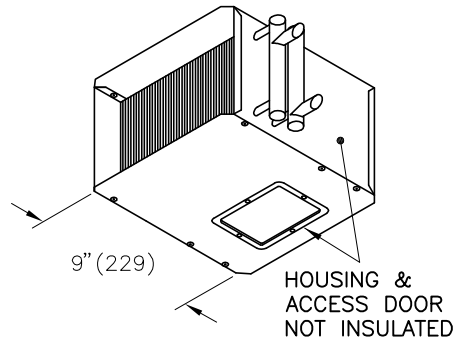
OPTIONS:

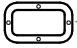

- TB - TOP & BOTTOM ACCESS DOORS

ALL METRIC DIMENSIONS () ARE SOFT CONVERTED. IMPERIAL DIMENSIONS ARE CONVERTED TO METRIC AND ROUNDED TO THE NEAREST MILLIMETER.

PROJECT:		PRICE [®]	
ENGINEER:		BG	HOT WATER COILS SINGLE DUCT TERMINALS WITH DUAL COIL ACCESS DOORS
CUSTOMER:		200911	
SUBMITTAL DATE:	SPEC. SYMBOL:	2011/06/27	

**WATER COIL REPLACEMENT
WITH COIL ACCESS DOOR**



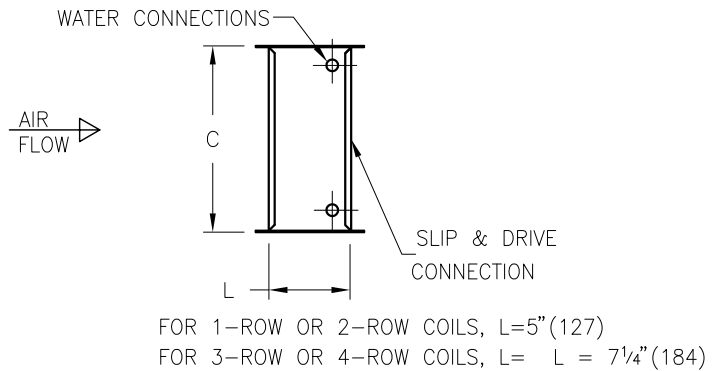
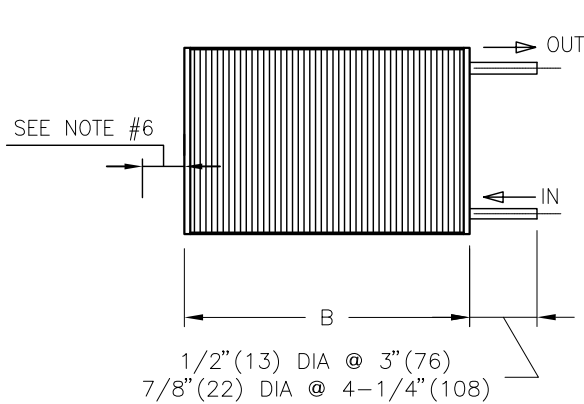
-  CAD - COIL ACCESS DOOR
W/SCREWS
4" (102) x 6 3/4" (171)
-  CADL - COIL ACCESS DOOR
W/SNAP LATCHES
4" (102) x 6 3/4" (171)

NOTES:

1. BOTTOM ACCESS DOOR FOR INSPECTION AND MAINTENANCE OF COIL IS FEATURED.
2. 22GA GALVANIZED STEEL CONSTRUCTION.
3. GASKETED PERIMETER & 4 SCREWS PROVIDED AS STANDARD CONSTRUCTION.

ALL METRIC DIMENSIONS () ARE SOFT CONVERTED. IMPERIAL DIMENSIONS ARE CONVERTED TO METRIC AND ROUNDED TO THE NEAREST MILLIMETER.

PROJECT:		PRICE[®]	
ENGINEER:		<i>GF</i>	HOT WATER COILS SINGLE DUCT TERMINALS WITH COIL ACCESS DOOR
CUSTOMER:		266639	
SUBMITTAL DATE:	SPEC. SYMBOL:	2016/02/29	



SI UNITS (mm)					IMPERIAL UNITS (inches)				
NOMINAL SIZE	B	C	COIL CONNECTIONS		NOMINAL SIZE	B	C	COIL CONNECTIONS	
			1&2 Row	3&4 Row				1&2 Row	3&4 Row
4,5,6	305	203	13	22	4,5,6	12	8	1/2	7/8
7,8	305	254	13	22	7,8	12	10	1/2	7/8
9,10	445	254	22	29	9,10	17 1/2	10	7/8	1 1/8
12	610	254	22	29	12	24	10	7/8	1 1/8
14	762	254	22	29	14	30	10	7/8	1 1/8
16	965	254	22	29	16	38	10	7/8	1 1/8

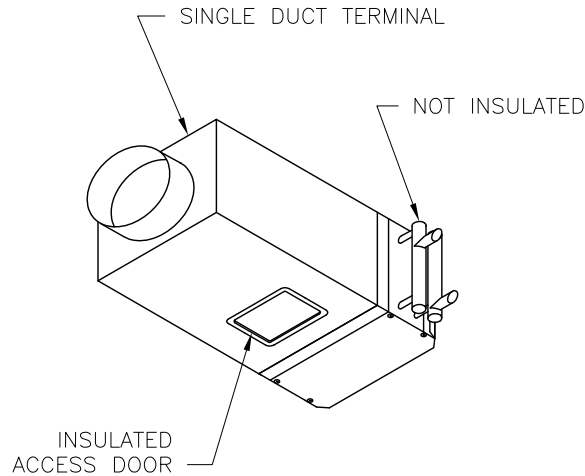
NOTES:

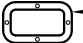

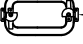
- FABRICATED FROM 22 GA. GALVANIZED STEEL MECHANICALLY SEALED, LEAK RESISTANT CONSTRUCTION.
- HOT WATER COILS HAVE COPPER TUBES AND ALUMINUM FINNS WITH O.D. SWEAT CONNECTIONS.
- REFER TO SUBMITTED TERMINAL UNIT SCHEDULE FOR AIR VOLUMES AND REHEAT COIL CAPACITIES.
- METHOD OF VENTING REHEAT COIL IS TO BE PROVIDED BY INSTALLING CONTRACTOR.
- HAND OF WATER COIL CONNECTIONS IS DETERMINED WHEN VIEWED FROM AIR INLET SIDE WITH ACCESS DOOR ON BOTTOM. RIGHT HAND COIL CONNECTION ILLUSTRATED ABOVE.
- ALLOW 1 1/2 " (38) MINIMUM CLEARANCE FOR INSTALLATION AT THIS END.
- CONFIGURATION OF COIL CONNECTION VARIES WITH SIZE & CIRCUITRY OF COIL.
- PERFORMANCE RATED AND CERTIFIED IN ACCORDANCE WITH THE CURRENT EDITION OF ARI STANDARD 410.
- STANDARD COILS SUPPLIED WITH 10 FINNS PER INCH.
- IT IS NOT RECOMENDED TO REVERSE 3 & 4 ROW COILS. INDICATE HANDING WHILE ORDERING.

ALL METRIC DIMENSIONS () ARE SOFT CONVERTED. IMPERIAL DIMENSIONS ARE CONVERTED TO METRIC AND ROUNDED TO THE NEAREST MILLIMETER.

PROJECT:		PRICE [®]	
ENGINEER:			
CUSTOMER:		239543	
SUBMITTAL DATE:	SPEC. SYMBOL:	2011/06/21	

**SINGLE DUCT TERMINAL
WITH WATER COIL AND
COIL ACCESS DOOR**



-  AD - COIL ACCESS DOOR
W/SCREWS
4"(102) x 6 3/4"(171)
-  ADL - COIL ACCESS DOOR
W/SNAP LATCHES
4"(102) x 6 3/4"(171)
-  ADQ - COIL ACCESS DOOR
W/QUARTER TURN SASH LATCHES
4"(102) x 6 3/4"(171)

NOTES:

1. ACCESS DOOR FOR INSPECTION AND MAINTENANCE OF COIL IS FEATURED.
(SEE OPTIONS FOR SPECIFIC LOCATION AND FASTENERS).
2. 3/4" (19) THICK, 22 GA GALVANIZED STEEL CONSTRUCTION, INTERNALLY INSULATED.
3. DUAL WALL CONSTRUCTION (NOT PROVIDED FOR FF LINERS).
4. GASKETED PERIMETER & 4 SCREWS PROVIDED AS STANDARD CONSTRUCTION.

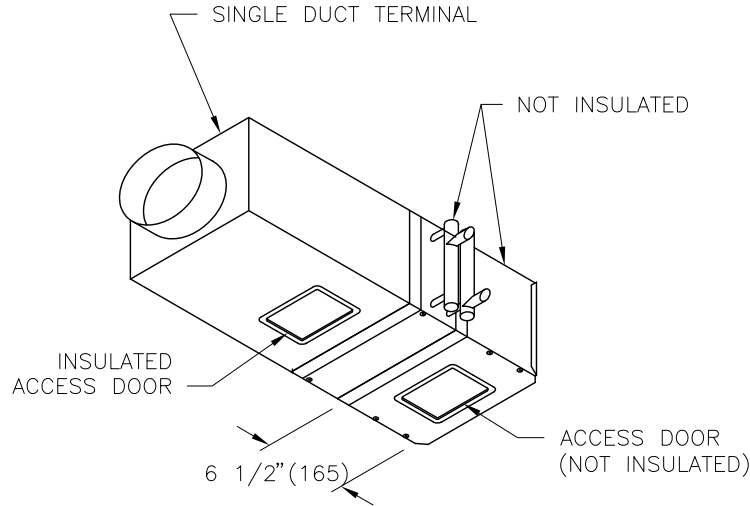
OPTIONS:

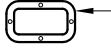
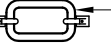
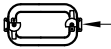
- TB - TOP & BOTTOM ACCESS DOORS

ALL METRIC DIMENSIONS () ARE SOFT CONVERTED. IMPERIAL DIMENSIONS ARE CONVERTED TO METRIC AND ROUNDED TO THE NEAREST MILLIMETER.

PROJECT:		PRICE [®]	
ENGINEER:		<i>BG</i>	HOT WATER COILS SINGLE DUCT LOW PROFILE TERMINAL UNITS WITH COIL ACCESS DOORS
CUSTOMER:		239543	
SUBMITTAL DATE:	SPEC. SYMBOL:	2011/06/27	

**SINGLE DUCT TERMINAL
WITH WATER COIL AND
DUAL COIL ACCESS DOORS**



-  ADD - COIL ACCESS DOOR
W/SCREWS
4" (102) x 6 3/4" (171)
-  ADDL - COIL ACCESS DOOR
W/SNAP LATCHES
4" (102) x 6 3/4" (171)
-  ADDQ - COIL ACCESS DOOR
W/QUARTER TURN SASH LATCHES
4" (102) x 6 3/4" (171)

NOTES:

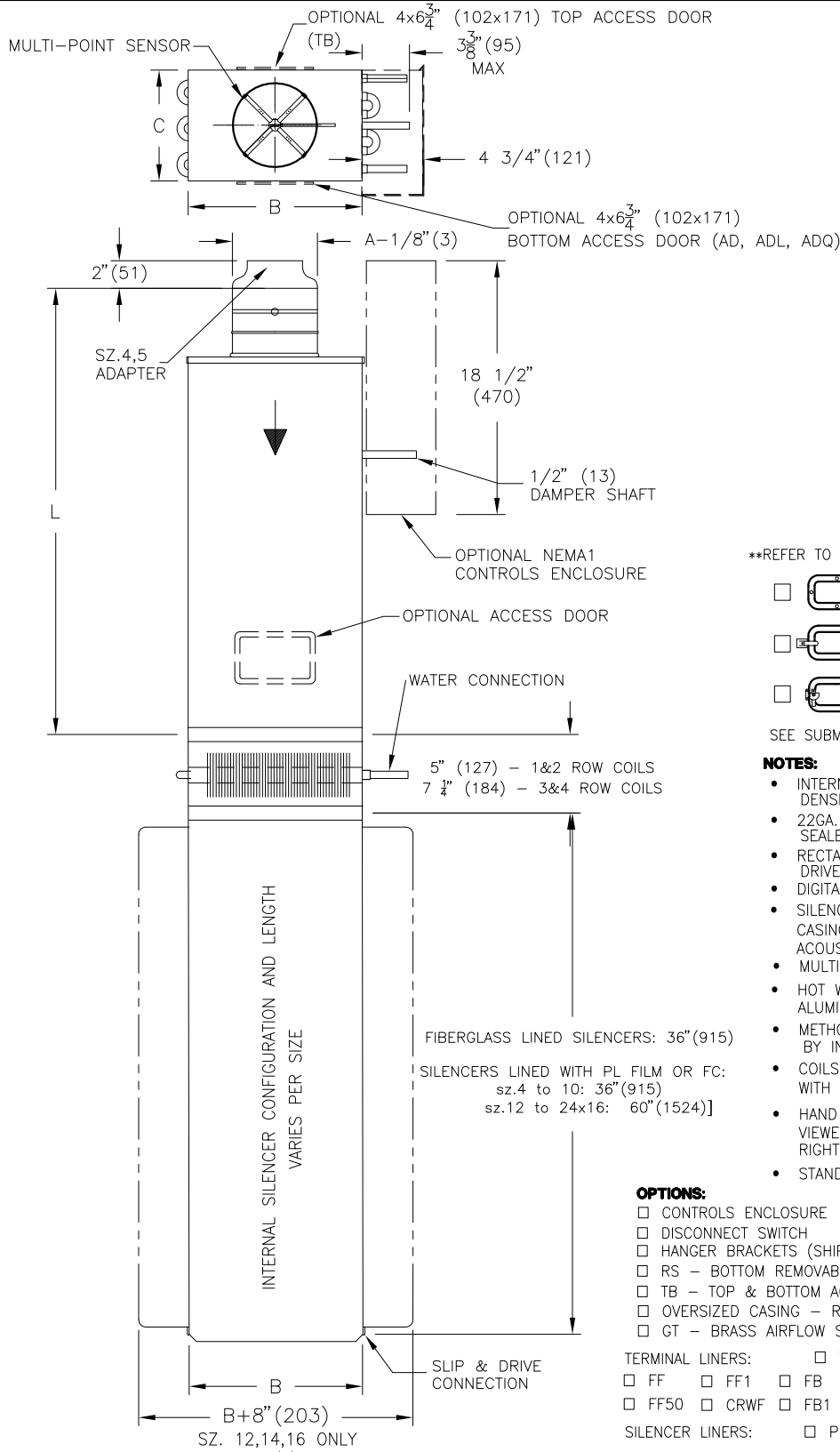
1. ACCESS DOOR FOR INSPECTION AND MAINTENANCE OF COIL IS FEATURED.
(SEE OPTIONS FOR SPECIFIC LOCATION AND FASTENERS).
2. 3/4" (19) THICK, 22 GA GALVANIZED STEEL CONSTRUCTION, INTERNALLY INSULATED.
3. DUAL WALL CONSTRUCTION (NOT PROVIDED FOR FF LINERS).
4. GASKETED PERIMETER & 4 SCREWS PROVIDED AS STANDARD CONSTRUCTION.
5. DOWNSTREAM COIL ACCESS DOOR NOT INSULATED.

OPTIONS:

- TB - TOP & BOTTOM ACCESS DOORS

ALL METRIC DIMENSIONS () ARE SOFT CONVERTED. IMPERIAL DIMENSIONS ARE CONVERTED TO METRIC AND ROUNDED TO THE NEAREST MILLIMETER.

PROJECT:		PRICE [®]	
ENGINEER:		BG	HOT WATER COILS SINGLE DUCT LOW PROFILE TERMINAL UNITS DUAL COIL ACCESS DOORS
CUSTOMER:		239543	
SUBMITTAL DATE:	SPEC. SYMBOL:	2011/06/27	



UNIT SIZE	MAX CFM	IMPERIAL UNITS inches			
		OUTLET		INLET	LENGTH
		B	C	A	L
4	225			4	32 ¹ / ₈
5	350	12	8	5	
6	450			6	
7	650	12	10	7	
8	800			8	
9	1050	14	12 ¹ / ₂	9	
10	1350			10	
12	2100	16	15	12	35 ⁵ / ₈
14	3000	20	17 ¹ / ₂	14	
16	4000	24	18	16	

UNIT SIZE	MAX L/S	S.I. UNITS mm			
		OUTLET		INLET	LENGTH
		B	C	A	L
4	106			102	816
5	165	305	203	127	
6	212			152	
7	307	305	254	178	
8	378			203	
9	496	356	318	229	
10	637			254	
12	991	406	381	305	905
14	1416	508	445	356	
16	1888	610	457	406	

**REFER TO SUBMITTAL 260239 FOR OVERSIZED CASING OPTION DIMENSIONS.

- AD - INSULATED ACCESS DOOR W/SCREWS
 - ADL - INSULATED ACCESS DOOR W/SNAP LATCHES
 - ADQ - INSULATED ACCESS DOOR W/QUARTER TURN SASH LATCHES
- SEE SUBMITTAL #256538 FOR MORE DETAILS

NOTES:

- INTERNAL INSULATION FIBERGLASS 1" (25mm) THICK 1.5# DENSITY WHICH MEETS REQUIREMENTS OF NFPA 90A AND UL181.
- 22GA. ZINC COATED STEEL HOUSING. MECHANICALLY SEALED AND GASKETED, LEAK RESISTANT CONSTRUCTION.
- RECTANGULAR DISCHARGE OPENING WITH SLIP AND DRIVE CLEAT DUCT CONNECTION.
- DIGITAL CONTROLS BY CONTROL CONTRACTOR.
- SILENCER - MEDIUM PRESSURE STYLE, 22 GAUGE GALVANIZED CASING WITH PERFORATED LINER OVER FIBERGLASS ACOUSTIC MEDIA.
- MULTI-POINT SENSOR SUPPLIED BY PRICE.
- HOT WATER COILS HAVE COPPER TUBES AND ALUMINUM FINS WITH O.D. SWEAT CONNECTIONS.
- METHOD OF VENTING REHEAT COIL IS TO BE PROVIDED BY INSTALLING CONTRACTOR.
- COILS PERFORMANCE RATED AND CERTIFIED IN ACCORDANCE WITH THE CURRENT EDITION OF ARI STANDARD 410.
- HAND OF WATER COIL CONNECTIONS IS DETERMINED WHEN VIEWED FROM BOTTOM VIEW AS SHOWN. RIGHT HAND COIL CONNECTION ILLUSTRATED.
- STANDARD COILS SUPPLIED WITH 10 FINS PER INCH.

OPTIONS:

- CONTROLS ENCLOSURE
- DISCONNECT SWITCH
- HANGER BRACKETS (SHIPPED LOOSE)
- RS - BOTTOM REMOVABLE SENSOR
- TB - TOP & BOTTOM ACCESS DOORS
- OVERSIZED CASING - REFER TO SUBMITTAL 260239
- GT - BRASS AIRFLOW SENSOR GAUGE TAPS

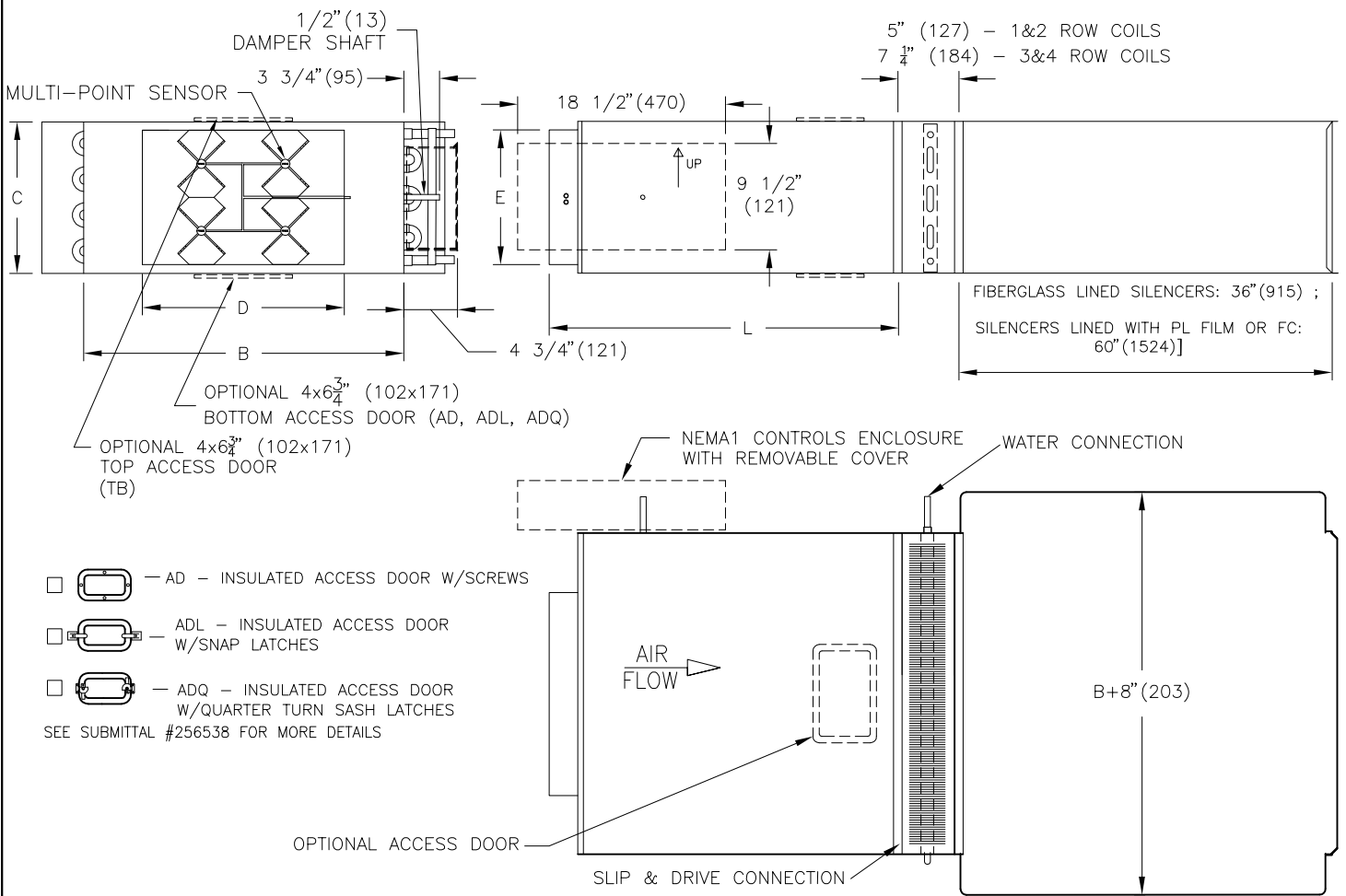
- TERMINAL LINERS: WFPM AFPM AFPM1
- FF FF1 FB SM PM CRAF
- FF50 CRWF FB1 SM1 PM1 CRAF1

- SILENCER LINERS: PL - POLYMER LINER FC - FIBERGLASS CLOTH

ALL METRIC DIMENSIONS () ARE SOFT CONVERTED. IMPERIAL DIMENSIONS ARE CONVERTED TO METRIC AND ROUNDED TO THE NEAREST MILLIMETER.



PROJECT:		PRICE®	
ENGINEER:			
CUSTOMER:		255646	SINGLE DUCT TERMINAL VARIABLE VOLUME, DIGITAL CONTROL w/STRAIGHT SILENCER & WATER COIL
SUBMITTAL DATE:	SPEC. SYMBOL:	2013/02/20	



- AD - INSULATED ACCESS DOOR W/SCREWS
 - ADL - INSULATED ACCESS DOOR W/SNAP LATCHES
 - ADQ - INSULATED ACCESS DOOR W/QUARTER TURN SASH LATCHES
- SEE SUBMITTAL #256538 FOR MORE DETAILS

UNIT SIZE	MAX L/S	MAX CFM	S.I. UNITS (MM)					IMPERIAL UNITS (Inches)				
			OUTLET		INLET		LENGTH	OUTLET		INLET		LENGTH
			B	C	D	E		B	C	D	E	
24x16	3776	8000	965	457	603	403	787	38	18	23 7/8	15 7/8	31

NOTES:

- INTERNAL INSULATION - FIBERGLASS 1" (25) THICK, MIN. 1.5# DENSITY, WHICH MEETS REQUIREMENTS OF NFPA 90A AND UL181.
- 22 GA ZINC COATED STEEL HOUSING, MECHANICALLY SEALED AND GASKETED, LEAK RESISTANT CONSTRUCTION.
- RECTANGULAR DISCHARGE OPENINGS HAVE SLIP & DRIVE CLEAT DUCT CONNECTIONS.
- CONTROL ASSEMBLY WILL BE SUPPLIED AS ILLUSTRATED ON RIGHT HAND SIDE UNLESS SPECIFIED OTHERWISE.
- DIGITAL CONTROLS SUPPLIED BY CONTROLS CONTRACTOR.
- SILENCER - MEDIUM PRESSURE STYLE, 22 GAUGE GALVANIZED CASING WITH PERFORATED LINER OVER FIBERGLASS ACOUSTIC MEDIA.
- MULTI-POINT SENSOR SUPPLIED BY PRICE
- HOT WATER COILS HAVE COPPER TUBES AND ALUMINUM FINS WITH O.D. SWEAT CONNECTIONS.
- METHOD OF VENTING REHEAT COIL IS TO BE PROVIDED BY INSTALLING CONTRACTOR.

- COILS PERFORMANCE RATED AND CERTIFIED IN ACCORDANCE WITH THE CURRENT EDITION OF ARI STANDARD 410.
- HAND OF WATER COIL CONNECTIONS IS DETERMINED WHEN VIEWED FROM BOTTOM VIEW AS SHOWN. RIGHT HAND COIL CONNECTION ILLUSTRATED.
- STANDARD COILS SUPPLIED WITH 10 FINS PER INCH.

OPTIONS:

- CONTROLS ENCLOSURE
- DISCONNECT SWITCH
- HANGER BRACKETS (SHIPPED LOOSE)
- TB - TOP & BOTTOM ACCESS DOORS
- GT - BRASS AIRFLOW SENSOR GAUGE TAPS

TERMINAL LINERS:

- FF FF1 FB SM PM CRAF
- FF50 CRWF FB1 SM1 PM1 CRAF1
- AFPM AFPM1 WFPM

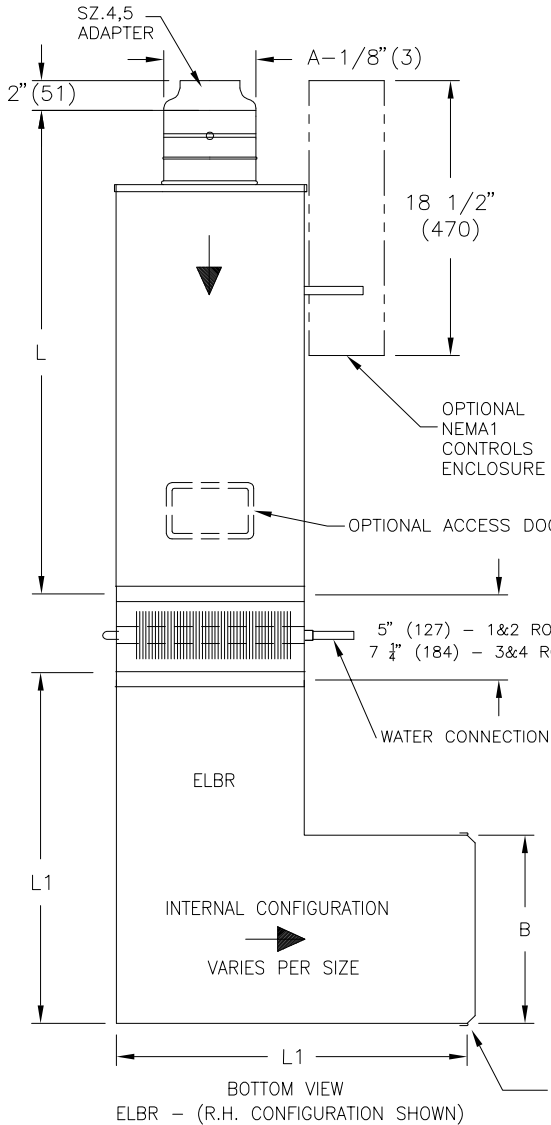
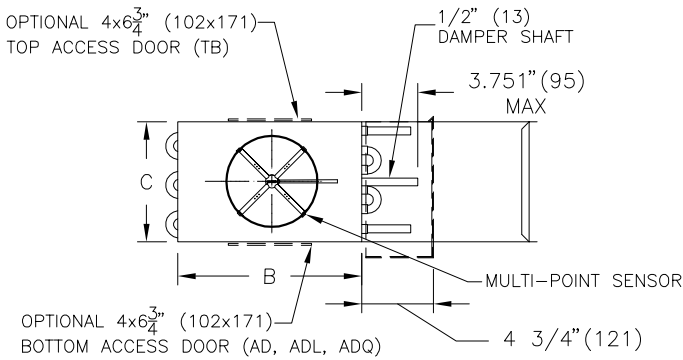
SILENCER LINERS:

- PL - POLYMER LINER FC - FIBERGLASS CLOTH



ALL METRIC DIMENSIONS () ARE SOFT CONVERTED. IMPERIAL DIMENSIONS ARE CONVERTED TO METRIC AND ROUNDED TO THE NEAREST MILLIMETER.

PROJECT:		PRICE®	
ENGINEER:			
CUSTOMER:		GF	SDVQ5000
SUBMITTAL DATE:		255646	SINGLE DUCT TERMINAL HEAT SZ.24X16 VARIABLE VOLUME DIGITAL CONTROLS, SILENCER WATER COIL
SPEC. SYMBOL:		2010/09/27	



SILENCER LINERS:
 PL - POLYMER LINER FC - FIBERGLASS CLOTH

ALL METRIC DIMENSIONS () ARE SOFT CONVERTED. IMPERIAL DIMENSIONS ARE CONVERTED TO METRIC AND ROUNDED TO THE NEAREST MILLIMETER.

UNIT SIZE	MAX CFM	IMPERIAL UNITS inches				
		OUTLET		INLET	LENGTH	
		B	C	A	L1 L	
4	225			4		
5	350	12	8	5	24	32 1/8
6	450			6		
7	650	12	10	7		
8	800			8		
9	1050	14	12 1/2	9	25	
10	1350			10		

UNIT SIZE	MAX L/S	S.I. UNITS mm				
		OUTLET		INLET	LENGTH	
		B	C	A	L1 L	
4	106			102		
5	165	305	203	127	610	816
6	212			152		
7	307	305	254	178		
8	378			203		
9	496	356	318	229	635	
10	637			254		

**REFER TO SUBMITTAL 260239 FOR OVERSIZED CASING OPTION DIMENSIONS.

- AD - INSULATED ACCESS DOOR W/SCREWS
 - ADL - INSULATED ACCESS DOOR W/SNAP LATCHES
 - ADQ - INSULATED ACCESS DOOR W/QUARTER TURN SASH LATCHES
- SEE SUBMITTAL #256538 FOR MORE DETAILS

NOTES:

- INTERNAL INSULATION FIBERGLASS 1" (25mm) THICK 1.5# DENSITY WHICH MEETS REQUIREMENTS OF NFPA 90A AND UL181.
- 22GA. ZINC COATED STEEL HOUSING. MECHANICALLY SEALED AND GASKETED, LEAK RESISTANT CONSTRUCTION.
- RECTANGULAR DISCHARGE OPENING WITH SLIP AND DRIVE CLEAT DUCT CONNECTION.
- DIGITAL CONTROLS BY CONTROL CONTRACTOR.
- SILENCER - MEDIUM PRESSURE STYLE, 22 GAUGE GALVANIZED CASING WITH PERFORATED LINER OVER FIBERGLASS ACOUSTIC MEDIA.
- R.H. CONFIGURATION SHOWN
- HOT WATER COILS HAVE COPPER TUBES AND ALUMINUM FINNS WITH O.D. SWEAT CONNECTIONS.
- METHOD OF VENTING REHEAT COIL IS TO BE PROVIDED BY INSTALLING CONTRACTOR.
- COILS PERFORMANCE RATED AND CERTIFIED IN ACCORDANCE WITH THE CURRENT EDITION OF ARI STANDARD 410.
- HAND OF WATER COIL CONNECTIONS IS DETERMINED WHEN VIEWED FROM BOTTOM VIEW AS SHOWN. RIGHT HAND COIL CONNECTION ILLUSTRATED.
- STANDARD COILS SUPPLIED WITH 10 FINNS PER INCH.

OPTIONS:

- HANGER BRACKETS, SHIPPED LOOSE
- RS - BOTTOM REMOVABLE SENSOR
- TB - TOP & BOTTOM ACCESS DOORS
- OVERSIZED CASING - REFER TO SUBMITTAL 260239
- GT - BRASS AIRFLOW SENSOR GAUGE TAPS

TERMINAL LINERS:

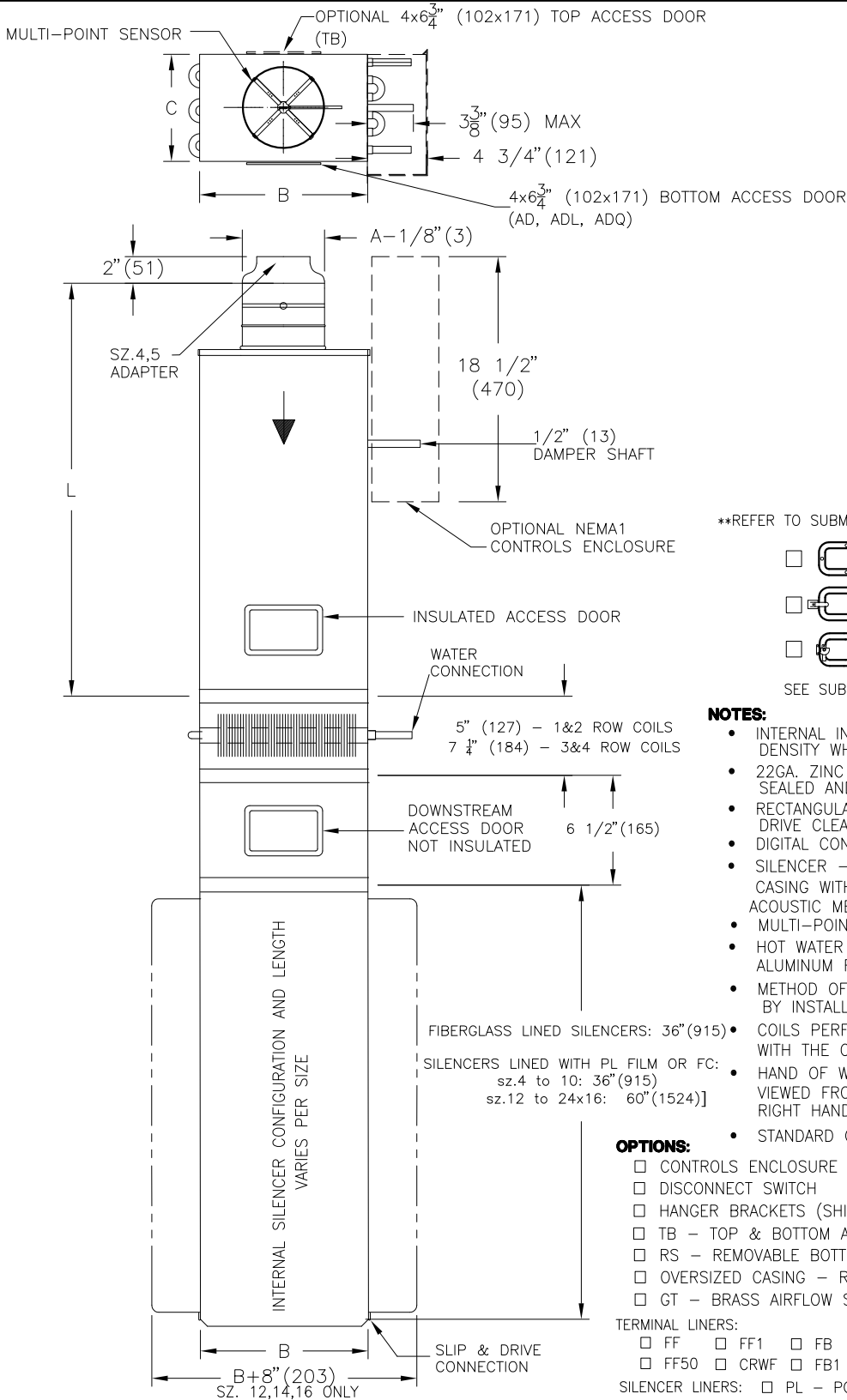
- FF FF1 FB SM PM CRAF
- FF50 CRWF FB1 SM1 PM1 CRAF1
- WFPM AFPM AFPM1

SILENCER CONFIGURATIONS:

- ELBR - ELBOW RIGHT - SHIPPED ATTACHED
- ELBL - ELBOW LEFT - SHIPPED ATTACHED
- ELBD - ELBOW DOWN - SHIPPED LOOSE
- ELBU - ELBOW UP - SHIPPED LOOSE



PROJECT:		PRICE [®]	
ENGINEER:		GF	SDVQ5000
CUSTOMER:		255646	SINGLE DUCT TERMINAL DIGITAL CONTROL w/ELBOW SILENCER & WATER COIL
SUBMITTAL DATE:	SPEC. SYMBOL:	2010/09/27	



UNIT SIZE	MAX CFM	IMPERIAL UNITS inches			
		OUTLET		INLET	LENGTH
		B	C	A	L
4	225			4	32 1/8
5	350	12	8	5	
6	450			6	
7	650			7	
8	800	12	10	8	
9	1050			9	
10	1350	14	12 1/2	10	
12	2100	16	15	12	35 5/8
14	3000	20	17 1/2	14	
16	4000	24	18	16	

UNIT SIZE	MAX L/S	S.I. UNITS mm			
		OUTLET		INLET	LENGTH
		B	C	A	L
4	106			102	816
5	165	305	203	127	
6	212			152	
7	307			178	
8	378	305	254	203	
9	496			229	
10	637	356	318	254	
12	991	406	381	305	905
14	1416	508	445	356	
16	1888	610	457	406	

**REFER TO SUBMITTAL 260239 FOR OVERSIZED CASING OPTION DIMENSIONS.

- AD - INSULATED ACCESS DOOR W/SCREWS
- ADL - INSULATED ACCESS DOOR W/SNAP LATCHES
- ADQ - INSULATED ACCESS DOOR W/QUARTER TURN SASH LATCHES

SEE SUBMITTAL #256538 FOR MORE DETAILS

NOTES:

- INTERNAL INSULATION FIBERGLASS 1" (25mm) THICK 1.5# DENSITY WHICH MEETS REQUIREMENTS OF NFPA 90A AND UL181.
- 22GA. ZINC COATED STEEL HOUSING. MECHANICALLY SEALED AND GASKETED, LEAK RESISTANT CONSTRUCTION.
- RECTANGULAR DISCHARGE OPENING WITH SLIP AND DRIVE CLEAT DUCT CONNECTION.
- DIGITAL CONTROLS BY CONTROL CONTRACTOR.
- SILENCER - MEDIUM PRESSURE STYLE, 22 GAUGE GALVANIZED CASING WITH PERFORATED LINER OVER FIBERGLASS ACOUSTIC MEDIA.
- MULTI-POINT SENSOR SUPPLIED BY PRICE.
- HOT WATER COILS HAVE COPPER TUBES AND ALUMINUM FINS WITH O.D. SWEAT CONNECTIONS.
- METHOD OF VENTING REHEAT COIL IS TO BE PROVIDED BY INSTALLING CONTRACTOR.
- COILS PERFORMANCE RATED AND CERTIFIED IN ACCORDANCE WITH THE CURRENT EDITION OF ARI STANDARD 410.
- HAND OF WATER COIL CONNECTIONS IS DETERMINED WHEN VIEWED FROM AIR INLET SIDE WITH ACCESS DOOR ON BOTTOM. RIGHT HAND COIL CONNECTION ILLUSTRATED ABOVE.
- STANDARD COILS SUPPLIED WITH 10 FINS PER INCH.

OPTIONS:

- CONTROLS ENCLOSURE
- DISCONNECT SWITCH
- HANGER BRACKETS (SHIPPED LOOSE)
- TB - TOP & BOTTOM ACCESS DOORS
- RS - REMOVABLE BOTTOM SENSOR
- OVERSIZED CASING - REFER TO SUBMITTAL 260239
- GT - BRASS AIRFLOW SENSOR GAUGE TAPS

TERMINAL LINERS:

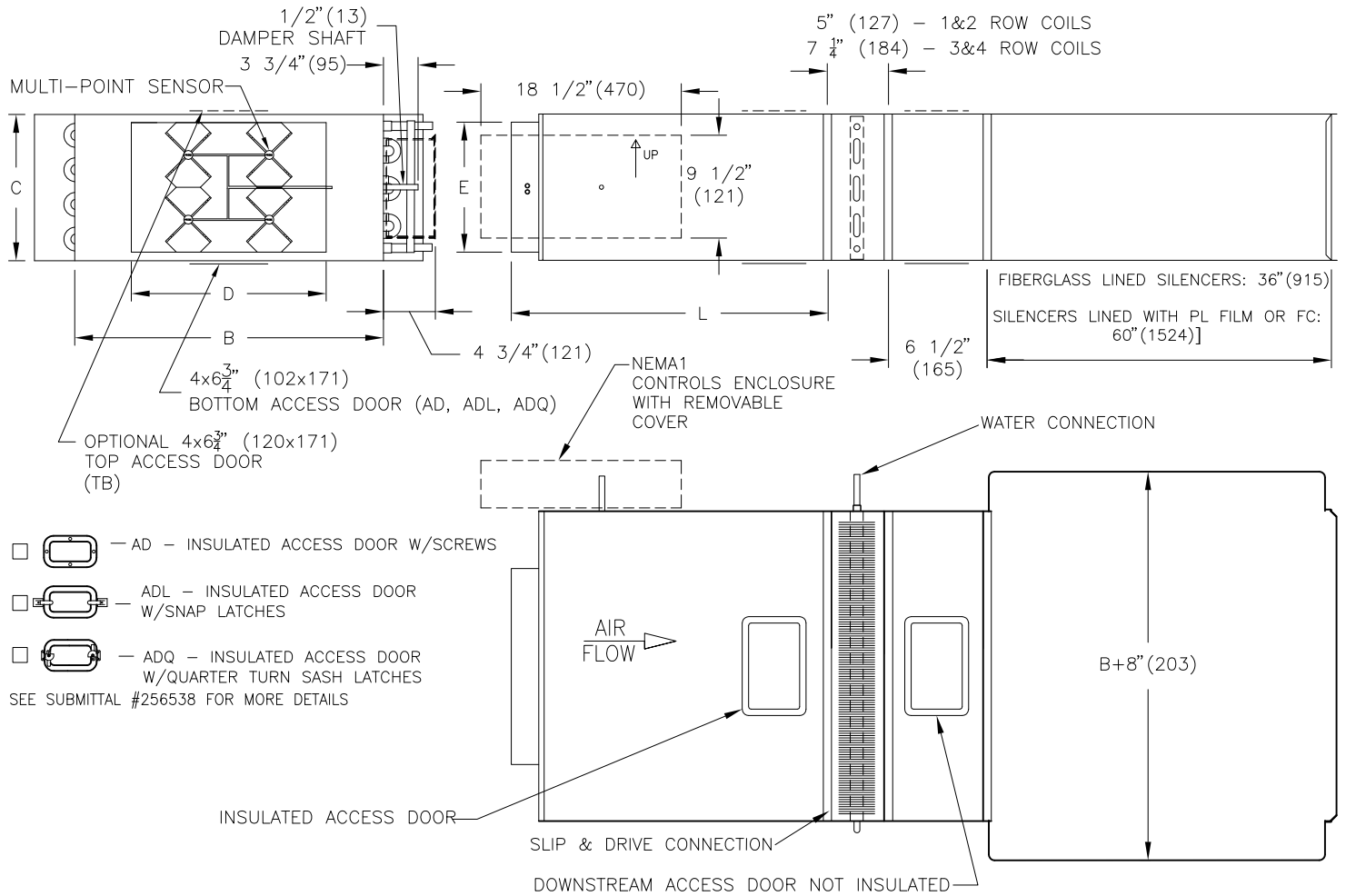
- FF FF1 FB SM PM CRAF AFPM WFPM
- FF50 CRWF FB1 SM1 PM1 CRAF1 AFPM1

SILENCER LINERS: PL - POLYMER LINER FC - FIBERGLASS CLOTH



ALL METRIC DIMENSIONS () ARE SOFT CONVERTED. IMPERIAL DIMENSIONS ARE CONVERTED TO METRIC AND ROUNDED TO THE NEAREST MILLIMETER.

PROJECT:		PRICE®	
ENGINEER:		BG	SDVQ5000
CUSTOMER:		255648	SINGLE DUCT TERMINAL VARIABLE VOLUME, DIGITAL CONTROL STRAIGHT SILENCER & WATER COIL w/ACCESS
SUBMITTAL DATE:	SPEC. SYMBOL:	2013/02/20	



- AD - INSULATED ACCESS DOOR W/SCREWS
 - ADL - INSULATED ACCESS DOOR W/SNAP LATCHES
 - ADQ - INSULATED ACCESS DOOR W/QUARTER TURN SASH LATCHES
- SEE SUBMITTAL #256538 FOR MORE DETAILS

UNIT SIZE	MAX L/S	MAX CFM	S.I. UNITS mm					IMPERIAL UNITS inches				
			OUTLET		INLET		LENGTH	OUTLET		INLET		LENGTH
			B	C	D	E	L	B	C	D	E	L
24x16	3776	8000	965	457	603	403	787	38	18	23 ⁷ / ₈	15 ⁷ / ₈	31

NOTES:

- INTERNAL INSULATION - FIBERGLASS 1" (25) THICK, MIN. 1.5# DENSITY, WHICH MEETS REQUIREMENTS OF NFPA 90A AND UL181.
- 22 GA ZINC COATED STEEL HOUSING, MECHANICALLY SEALED AND GASKETED, LEAK RESISTANT CONSTRUCTION.
- RECTANGULAR DISCHARGE OPENINGS HAVE SLIP & DRIVE CLEAT DUCT CONNECTIONS.
- CONTROL ASSEMBLY WILL BE SUPPLIED AS ILLUSTRATED ON RIGHT HAND SIDE UNLESS SPECIFIED OTHERWISE.
- DIGITAL CONTROLS SUPPLIED BY CONTROLS CONTRACTOR.
- SILENCER - MEDIUM PRESSURE STYLE, 22 GAUGE GALVANIZED CASING WITH PERFORATED LINER OVER FIBERGLASS ACOUSTIC MEDIA.
- MULTI-POINT SENSOR SUPPLIED BY PRICE.
- HOT WATER COILS HAVE COPPER TUBES AND ALUMINUM FINS WITH O.D. SWEAT CONNECTIONS.
- METHOD OF VENTING REHEAT COIL IS TO BE PROVIDED BY INSTALLING CONTRACTOR.

- COILS PERFORMANCE RATED AND CERTIFIED IN ACCORDANCE WITH THE CURRENT EDITION OF ARI STANDARD 410.
- HAND OF WATER COIL CONNECTIONS IS DETERMINED WHEN VIEWED FROM AIR INLET SIDE WITH ACCESS DOOR ON BOTTOM. RIGHT HAND COIL CONNECTION ILLUSTRATED ABOVE.
- STANDARD COILS SUPPLIED WITH 10 FINS PER INCH.

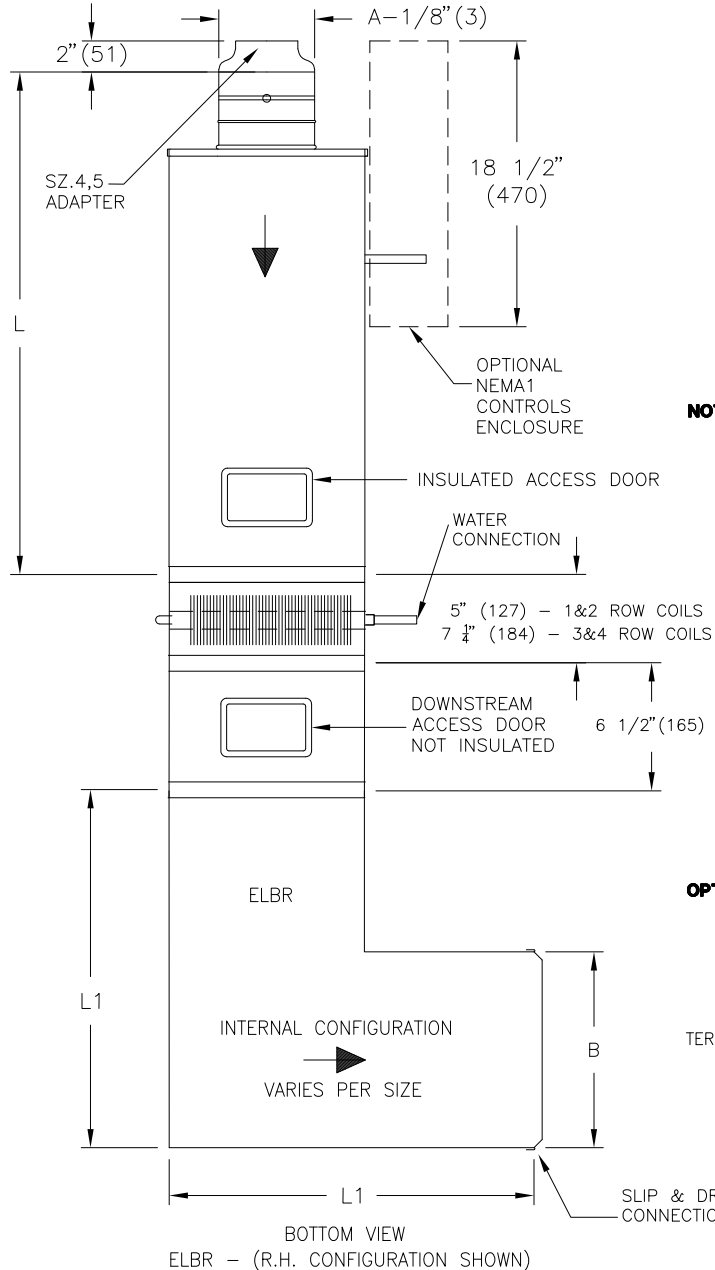
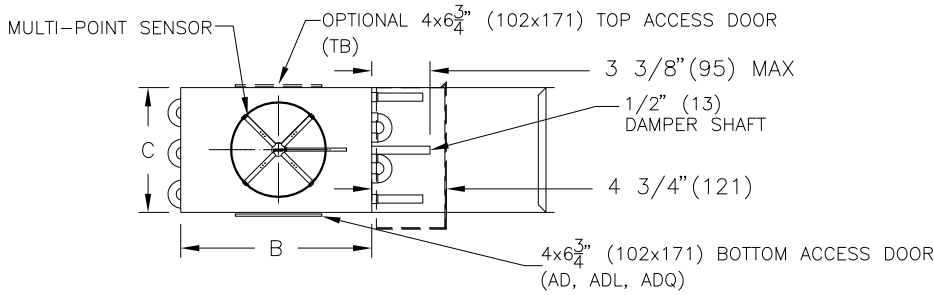
OPTIONS:

- CONTROLS ENCLOSURE
 - DISCONNECT SWITCH
 - HANGER BRACKETS (SHIPPED LOOSE)
 - TB - TOP & BOTTOM ACCESS DOORS
 - GT - BRASS AIRFLOW SENSOR GAUGE TAPS
- TERMINAL LINERS:
- FF FF1 FB SM PM CRAF
 - FF50 CRWF FB1 SM1 PM1 CRAF1
 - AFPM AFPM1 WFPM
- SILENCER LINERS:
- PL - POLYMER LINER FC - FIBERGLASS CLOTH



ALL METRIC DIMENSIONS () ARE SOFT CONVERTED. IMPERIAL DIMENSIONS ARE CONVERTED TO METRIC AND ROUNDED TO THE NEAREST MILLIMETER.

PROJECT:			
ENGINEER:			
CUSTOMER:			SDVQ5000
SUBMITTAL DATE:		255648	SINGLE DUCT TERMINAL HEAT SZ. 24x16 VARIABLE VOLUME DIGITAL CONTROLS, SILENCER WATER COIL W/ACCESS
SPEC. SYMBOL:		2013/02/20	



UNIT SIZE	MAX CFM	IMPERIAL UNITS inches				
		OUTLET		INLET	LENGTH	
		B	C	A	L1	
4	225	12	8	4	24	32 1/8
5	350			5		
6	450			6		
7	650	12	10	7	25	
8	800			8		
9	1050	14	12 1/2	9		
10	1350			10		

UNIT SIZE	MAX L/S	S.I. UNITS mm				
		OUTLET		INLET	LENGTH	
		B	C	A	L1	
4	106	305	203	102	610	816
5	165			127		
6	212			152		
7	307	305	254	178	635	
8	378			203		
9	496	356	318	229		
10	637			254		

**REFER TO SUBMITTAL 260239 FOR OVERSIZED CASING OPTION DIMENSIONS.

- AD - INSULATED ACCESS DOOR W/SCREWS
 - ADL - INSULATED ACCESS DOOR W/SNAP LATCHES
 - ADQ - INSULATED ACCESS DOOR W/QUARTER TURN SASH LATCHES
- SEE SUBMITTAL #256538 FOR MORE DETAILS

NOTES:

- INTERNAL INSULATION FIBERGLASS 1" (25mm) THICK 1.5# DENSITY WHICH MEETS REQUIREMENTS OF NFPA 90A AND UL181.
- 22GA. ZINC COATED STEEL HOUSING. MECHANICALLY SEALED AND GASKETED, LEAK RESISTANT CONSTRUCTION.
- RECTANGULAR DISCHARGE OPENING WITH SLIP AND DRIVE CLEAT DUCT CONNECTION.
- DIGITAL CONTROLS BY CONTROL CONTRACTOR.
- SILENCER - MEDIUM PRESSURE STYLE, 22 GAUGE GALVANIZED CASING WITH PERFORATED LINER OVER FIBERGLASS ACOUSTIC MEDIA.
- MULTI-POINT SENSOR SUPPLIED BY PRICE.
- R.H. CONFIGURATION SHOWN
- HOT WATER COILS HAVE COPPER TUBES AND ALUMINUM FINS WITH O.D. SWEAT CONNECTIONS.
- METHOD OF VENTING REHEAT COIL IS TO BE PROVIDED BY INSTALLING CONTRACTOR.
- COILS PERFORMANCE RATED AND CERTIFIED IN ACCORDANCE WITH THE CURRENT EDITION OF ARI STANDARD 410.
- HAND OF WATER COIL CONNECTIONS IS DETERMINED WHEN VIEWED FROM AIR INLET SIDE WITH ACCESS DOOR ON BOTTOM. RIGHT HAND COIL CONNECTION ILLUSTRATED ABOVE.
- STANDARD COILS SUPPLIED WITH 10 FINS PER INCH.

OPTIONS:

- HANGER BRACKETS, SHIPPED LOOSE
- RS - REMOVABLE BOTTOM SENSOR
- TB - TOP & BOTTOM ACCESS DOORS
- OVERSIZED CASING - REFER TO SUBMITTAL 260239
- GT - BRASS AIRFLOW SENSOR GAUGE TAPS

- TERMINAL LINERS: FF FF1 FB SM PM CRAF
- FF50 CRWF FB1 SM1 PM1 CRAF1
- WFPM AFPM AFPM1

SILENCER LINERS:

- PL - POLYMER LINER
- FC - FIBERGLASS CLOTH

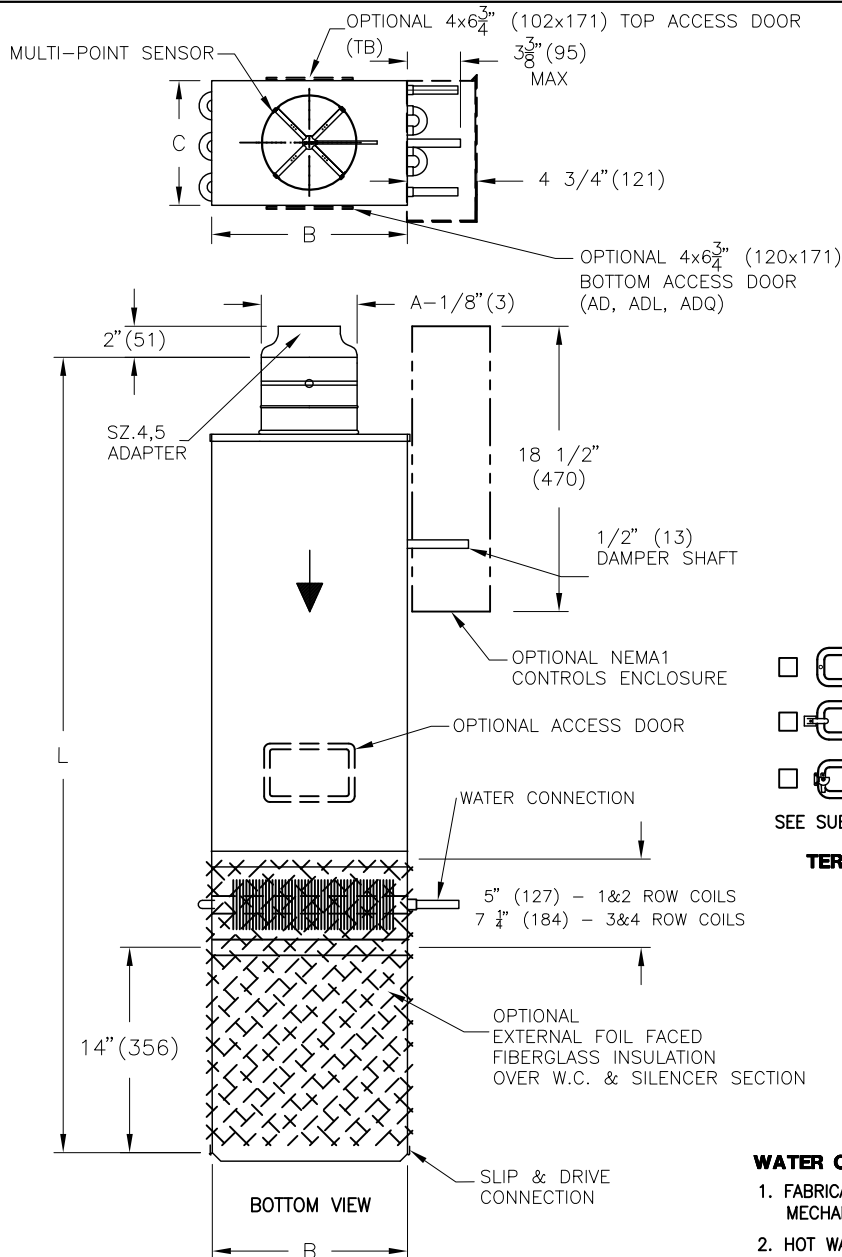
SILENCER CONFIGURATIONS:

- ELBR - ELBOW RIGHT - SHIPPED ATTACHED
- ELBL - ELBOW LEFT - SHIPPED ATTACHED
- ELBD - ELBOW DOWN - SHIPPED LOOSE
- ELBU - ELBOW UP - SHIPPED LOOSE



ALL METRIC DIMENSIONS () ARE SOFT CONVERTED. IMPERIAL DIMENSIONS ARE CONVERTED TO METRIC AND ROUNDED TO THE NEAREST MILLIMETER.

PROJECT:		PRICE [®]	
ENGINEER:		BG	SDVQ5000
CUSTOMER:		255648	SINGLE DUCT TERMINAL DIGITAL CONTROL w/ELBOW SILENCER & WATER COIL w/ACCESS
SUBMITTAL DATE:	SPEC. SYMBOL:	2013/02/20	



UNIT SIZE	MAX CFM	IMPERIAL UNITS inches				
		OUTLET		INLET	LENGTH L	
		B	C	A	w/1&2 row WC	w/3&4 row WC
4	225			4		
5	350	12	8			
6	450			6		
7	650			7		
8	800	12	10	8	63%	65%
9	1050			9		
10	1350			10		
12	2100	16	15	12		
14	3000	20	17 1/2	14		
16	4000	24	18	16	78%	80%

UNIT SIZE	MAX L/S	S.I. UNITS mm				
		OUTLET		INLET	LENGTH L	
		B	C	A	w/1&2 row WC	w/3&4 row WC
4	106			102		
5	165	305	203	127		
6	212			152		
7	307			178		
8	378	305	254	203	1603	1660
9	496			229		
10	637	356	318	254		
12	991	406	381	305		
14	1416	508	445	356		
16	1888	610	457	406	1997	2054

- AD - INSULATED ACCESS DOOR W/SCREWS
 - ADL - INSULATED ACCESS DOOR W/SNAP LATCHES
 - ADQ - INSULATED ACCESS DOOR W/QUARTER TURN SASH LATCHES
- SEE SUBMITTAL #256538 FOR MORE DETAILS

TERMINAL NOTES:

- 22GA. ZINC COATED STEEL HOUSING. MECHANICALLY SEALED, LEAK RESISTANT CONSTRUCTION.
- TERMINAL INSULATION FIBERGLASS 3/4" (19) THICK 1.5# DENSITY WHICH MEETS REQUIREMENTS OF NFPA 90A AND UL181 COVERED WITH SOLID METAL LINER (DUAL WALL).
- PACKLESS SILENCER - 22 GAUGE GALVANIZED CASING, 22GA PERFORATED LINER, NO ACOUSTIC MEDIA.
- RECTANGULAR DISCHARGE OPENING WITH SLIP AND DRIVE CLEAT DUCT CONNECTION.
- DIGITAL CONTROLS BY CONTROL CONTRACTOR.
- MULTI-POINT SENSOR SUPPLIED BY PRICE.
- UNIT SHIPS AS COMPLETE ASSEMBLY.

WATER COIL NOTES:

1. FABRICATED FROM 22 GA. GALVANIZED STEEL MECHANICALLY SEALED, LEAK RESISTANT CONSTRUCTION.
2. HOT WATER COILS HAVE COPPER TUBES AND ALUMINUM FINS WITH O.D. SWEAT CONNECTIONS.
3. REFER TO SUBMITTED TERMINAL UNIT SCHEDULE FOR AIR VOLUMES AND REHEAT COIL CAPACITIES.
4. METHOD OF VENTING REHEAT COIL IS TO BE PROVIDED BY INSTALLING CONTRACTOR.
5. HAND OF WATER COIL CONNECTIONS IS DETERMINED WHEN VIEWED FROM AIR INLET SIDE WITH ACCESS DOOR ON BOTTOM. RIGHT HAND COIL CONNECTION SHOWN.
6. CONFIGURATION OF COIL CONNECTION VARIES WITH SIZE & CIRCUITRY OF COIL.
7. PERFORMANCE RATED AND CERTIFIED IN ACCORDANCE WITH THE CURRENT EDITION OF ARI STANDARD 410.
8. STANDARD COILS SUPPLIED WITH 10 FINS PER INCH.
9. IT IS NOT RECOMMENDED TO REVERSE 3 & 4 ROW COILS. INDICATE HANDING WHILE ORDERING.

OPTIONS:

- CONTROLS ENCLOSURE
- DISCONNECT SWITCH
- HANGER BRACKETS (SHIPPED LOOSE)
- RS - BOTTOM REMOVABLE SENSOR
- TB - TOP & BOTTOM ACCESS DOORS
- EXTERNAL FOIL FACED FIBERGLASS INSULATION OVER W.C. & SILENCER SECTION
- HC (HIGH CAPACITY) WATER COIL
HIGH CAPACITY COIL SUPPLIED WITH 12 FINS PER INCH.
1&2 ROW HC COILS AVAILABLE.
- OVERSIZED CASING - REFER TO SUBMITTAL 260239
- GT - BRASS AIRFLOW SENSOR GAUGE TAPS

TERMINAL LINERS:

- SM1

ALL METRIC DIMENSIONS () ARE SOFT CONVERTED. IMPERIAL DIMENSIONS ARE CONVERTED TO METRIC AND ROUNDED TO THE NEAREST MILLIMETER.

PROJECT:

ENGINEER:

CUSTOMER:

SUBMITTAL DATE:

SPEC. SYMBOL:

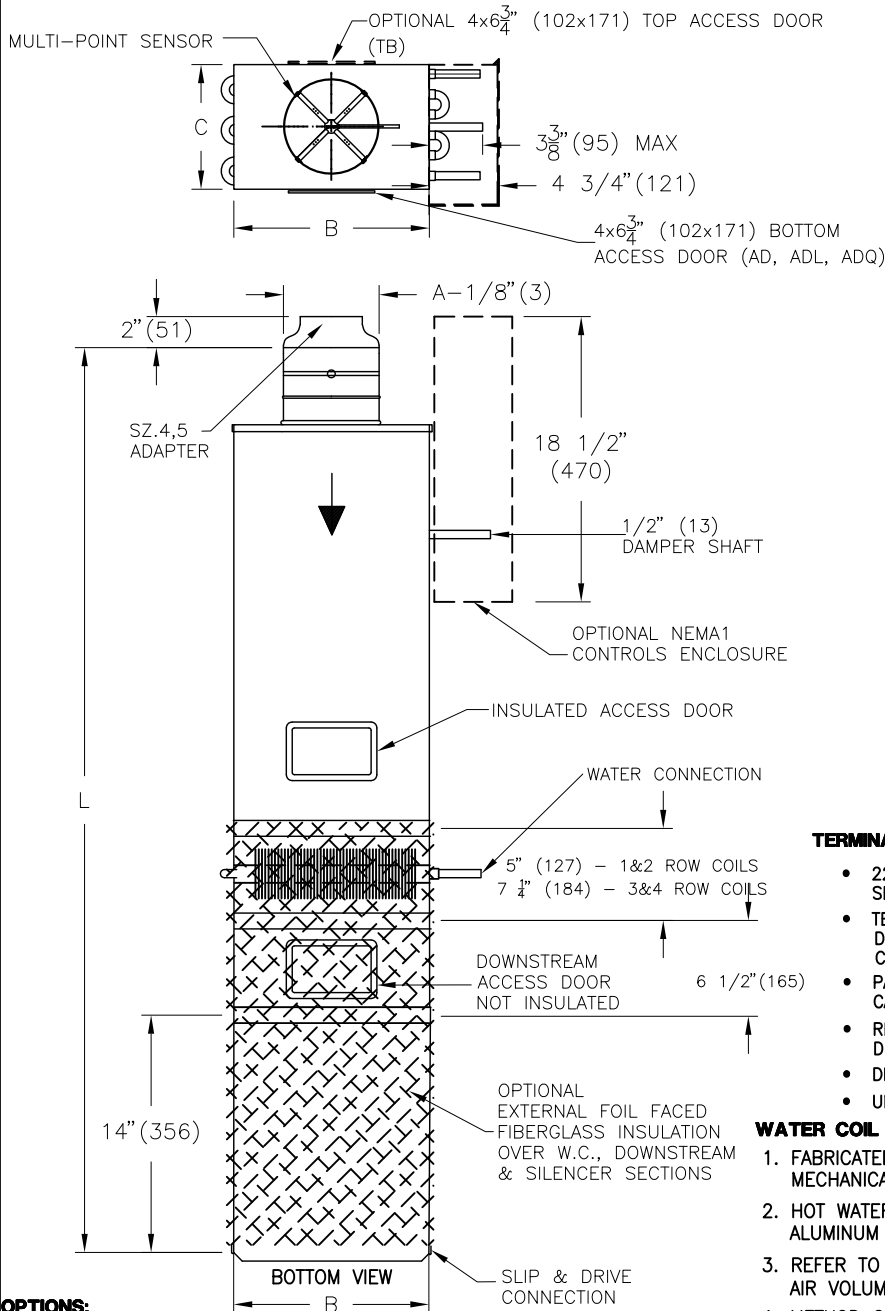
PRICE®

GF

SDVQ5000
SINGLE DUCT TERMINAL
VARIABLE VOLUME, DIGITAL CONTROL
w/PACKLESS SILENCER
& WATER COIL

258808

2011/08/31



UNIT SIZE	MAX CFM	IMPERIAL UNITS inches				
		OUTLET		INLET	LENGTH L	
		B	C	A	w/1&2 row WC w/3&4 row WC	
4	225			4		
5	350	12	8	5		
6	450			6		
7	650	12	10	7	69%	71%
8	800			8		
9	1050	14	12 1/2	9		
10	1350			10		
12	2100	16	15	12		
14	3000	20	17 1/2	14	85%	87%
16	4000	24	18	16		

UNIT SIZE	MAX L/S	S.I. UNITS mm				
		OUTLET		INLET	LENGTH L	
		B	C	A	w/1&2 row WC w/3&4 row WC	
4	106			102		
5	165	305	203	127		
6	212			152		
7	307	305	254	178	1768	1826
8	378			203		
9	496	356	318	229		
10	637			254		
12	991	406	381	305		
14	1416	508	445	356	2162	2219
16	1888	610	457	406		

- AD - INSULATED ACCESS DOOR W/SCREWS
 - ADL - INSULATED ACCESS DOOR W/SNAP LATCHES
 - ADQ - INSULATED ACCESS DOOR W/QUARTER TURN SASH LATCHES
- SEE SUBMITTAL #256538 FOR MORE DETAILS

TERMINAL NOTES:

- 22GA. ZINC COATED STEEL HOUSING. MECHANICALLY SEALED, LEAK RESISTANT CONSTRUCTION.
- TERMINAL INSULATION FIBERGLASS 3/4" (19) THICK 1.5# DENSITY WHICH MEETS REQUIREMENTS OF NFPA 90A AND UL181 COVERED WITH SOLID METAL LINER (DUAL WALL).
- PACKLESS SILENCER - 22 GAUGE GALVANIZED CASING, 22GA PERFORATED LINER, NO ACOUSTIC MEDIA.
- RECTANGULAR DISCHARGE OPENING WITH SLIP AND DRIVE CLEAT DUCT CONNECTION.
- DIGITAL CONTROLS BY CONTROL CONTRACTOR.
- UNIT SHIPS AS COMPLETE ASSEMBLY.

WATER COIL NOTES:

1. FABRICATED FROM 22 GA. GALVANIZED STEEL MECHANICALLY SEALED, LEAK RESISTANT CONSTRUCTION.
2. HOT WATER COILS HAVE COPPER TUBES AND ALUMINUM FINS WITH O.D. SWEAT CONNECTIONS.
3. REFER TO SUBMITTED TERMINAL UNIT SCHEDULE FOR AIR VOLUMES AND REHEAT COIL CAPACITIES.
4. METHOD OF VENTING REHEAT COIL IS TO BE PROVIDED BY INSTALLING CONTRACTOR.
5. HAND OF WATER COIL CONNECTIONS IS DETERMINED WHEN VIEWED FROM AIR INLET SIDE WITH ACCESS DOOR ON BOTTOM. RIGHT HAND COIL CONNECTION SHOWN.
6. CONFIGURATION OF COIL CONNECTION VARIES W/SZ. & CIRCUITRY OF COIL.
7. PERFORMANCE RATED AND CERTIFIED IN ACCORDANCE WITH THE CURRENT EDITION OF ARI STANDARD 410.
8. STANDARD COILS SUPPLIED WITH 10 FINS PER INCH.
9. IT IS NOT RECOMMENDED TO REVERSE 3 & 4 ROW COILS. INDICATE HANDING WHILE ORDERING.

OPTIONS:

- CONTROLS ENCLOSURE
- DISCONNECT SWITCH
- HANGER BRACKETS (SHIPPED LOOSE)
- RS - BOTTOM REMOVABLE SENSOR
- TB - TOP & BOTTOM ACCESS DOORS
- EXTERNAL FOIL FACED FIBERGLASS INSULATION OVER W.C., DOWNSTREAM & SILENCER SECTIONS
- HC (HIGH CAPACITY) WATER COIL
HIGH CAPACITY COIL SUPPLIED WITH 12 FINS PER INCH. 1&2 ROW HC COILS AVAILABLE.
- OVERSIZED CASING - REFER TO SUBMITTAL 260239
- GT - BRASS AIRFLOW SENSOR GAUGE TAPS

TERMINAL LINERS: SM1

ALL METRIC DIMENSIONS () ARE SOFT CONVERTED. IMPERIAL DIMENSIONS ARE CONVERTED TO METRIC AND ROUNDED TO THE NEAREST MILLIMETER.

PROJECT:

ENGINEER:

CUSTOMER:

SUBMITTAL DATE:

SPEC. SYMBOL:



GF

258809

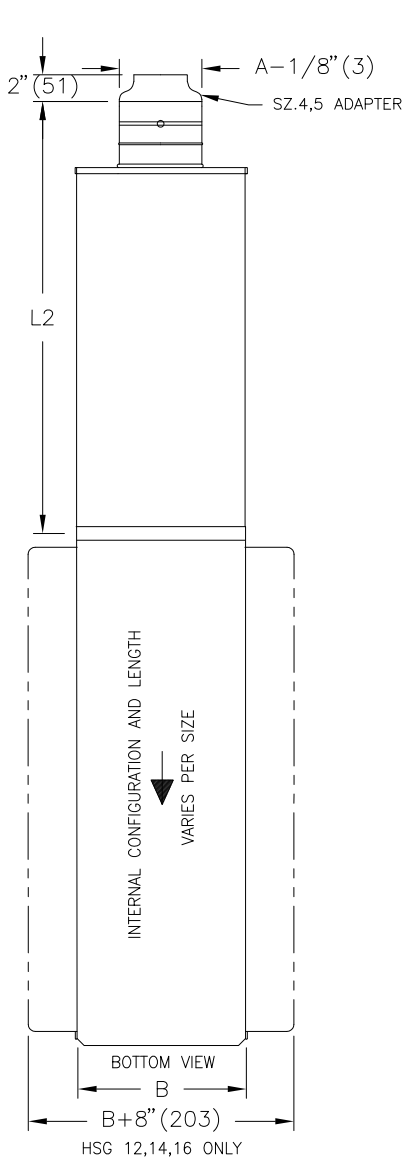
2011/08/31

SDVQ5000

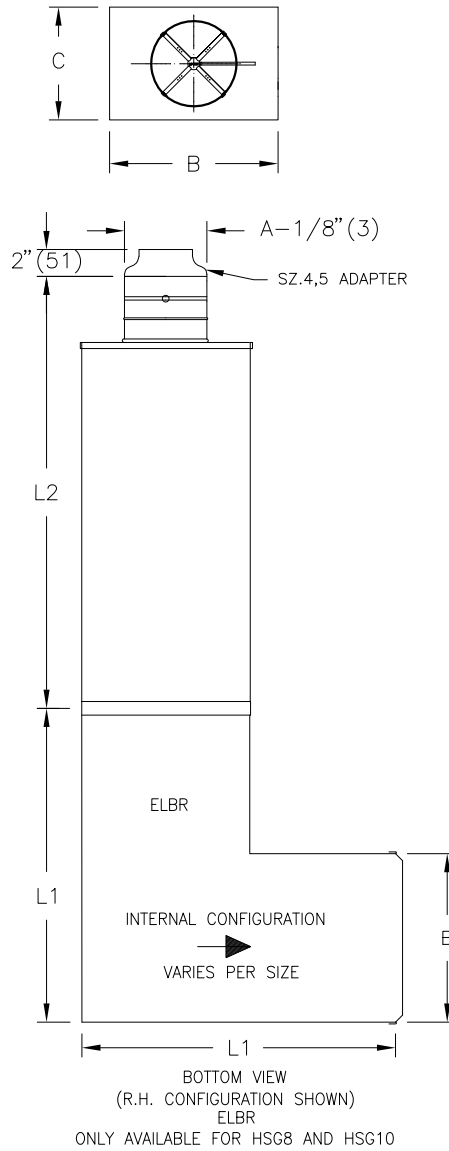
SINGLE DUCT TERMINAL
VARIABLE VOLUME, DIGITAL CONTROL
PACKLESS SILENCER
& WATER COIL w/ACCESS

ORDERING CODE	INLET SIZE	CASING SIZE	MAX L/S	S.I. UNITS mm					
				OUTLET		INLET	LENGTH	LENGTH	LENGTH
				B	C	A	L1	L2	L3
HSG8	4	8	106	305	254	102	610	816	1476
	5		165			127			
	6		212			152			
HSG10	7	10	307	356	318	178	635	816	1476
	8		378			203			
HSG12	9	12	496	406	381	229	N/A	905	1870
	10		637			254			
HSG14	12	14	991	508	445	305	N/A	905	1870
HSG16	14	16	1416	610	457	356	N/A	905	1870

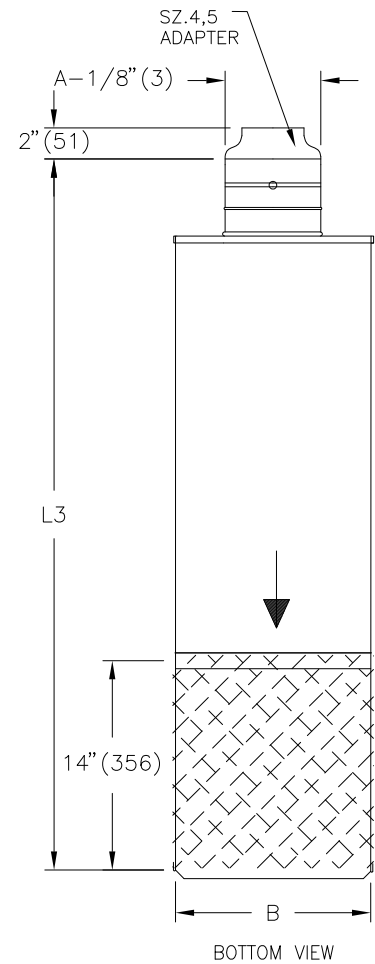
ORDERING CODE	INLET SIZE	CASING SIZE	MAX CFM	IMPERIAL UNITS inches					
				OUTLET		INLET	LENGTH	LENGTH	LENGTH
				B	C	A	L1	L2	L3
HSG8	4	8	225	12	10	4	24	32 1/8	58 1/8
	5		350			5			
	6		450			6			
HSG10	7	10	650	14	12 1/2	7	25	32 1/8	58 1/8
	8		800			8			
HSG12	9	12	1050	16	15	9	N/A	35 5/8	73 5/8
	10		1350			10			
HSG14	12	14	2100	20	17 1/2	12	N/A	35 5/8	73 5/8
HSG16	14	16	3000	24	18	14	N/A	35 5/8	73 5/8



STRAIGHT SILENCER



ELBOW SILENCER

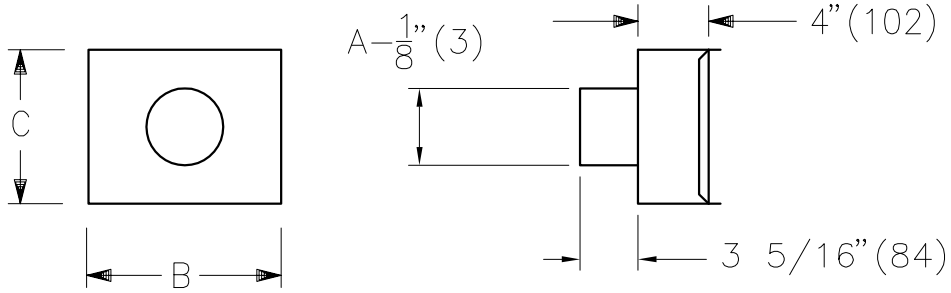


PACKLESS SILENCER

ALL METRIC DIMENSIONS () ARE SOFT CONVERTED. IMPERIAL DIMENSIONS ARE CONVERTED TO METRIC AND ROUNDED TO THE NEAREST MILLIMETER.

PROJECT:		PRICE®	
ENGINEER:			
CUSTOMER:		260239	
SUBMITTAL DATE:	SPEC. SYMBOL:	2012/03/06	

ROUND DISCHARGE COLLAR (RDC)



S.I. UNITS

IMPERIAL UNITS

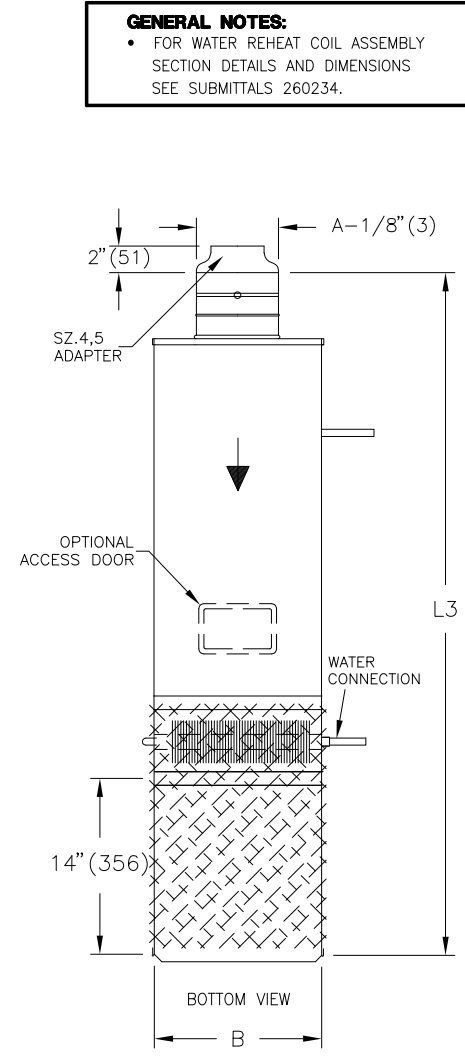
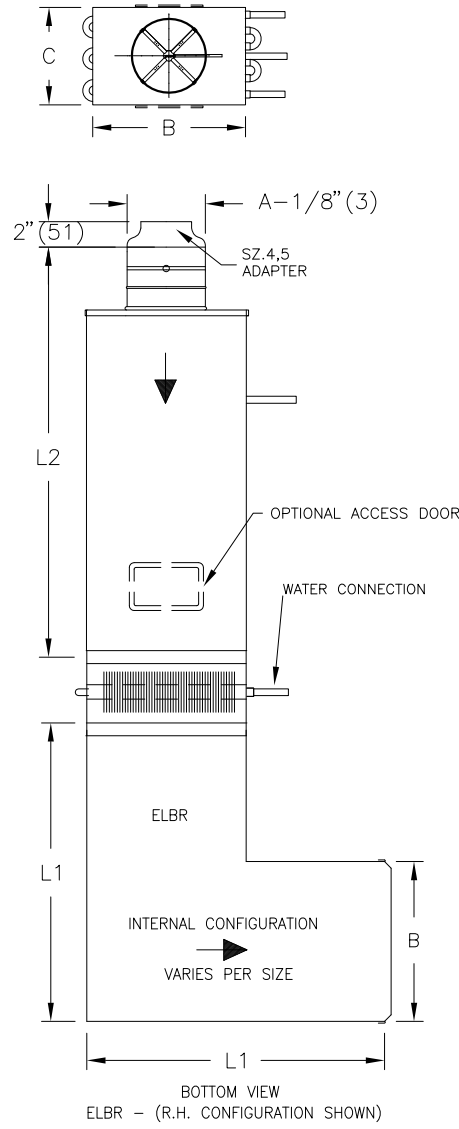
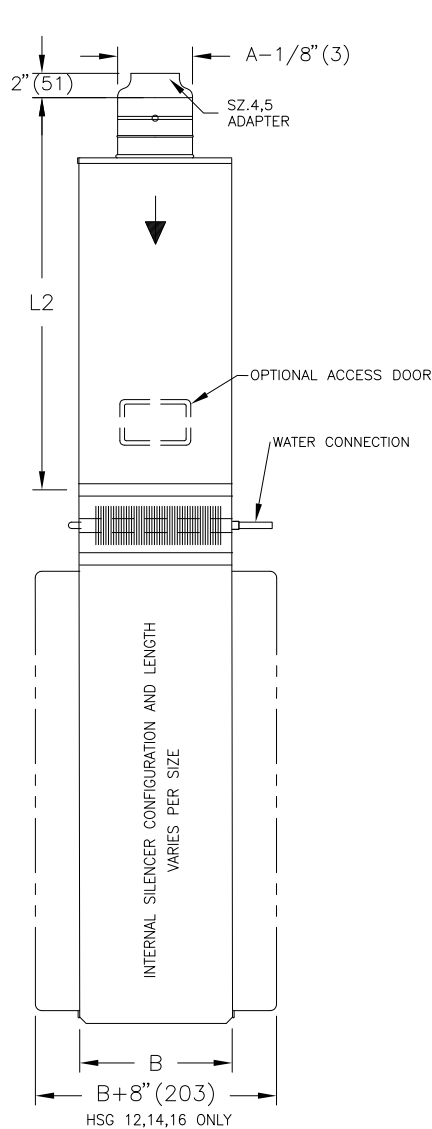
ORDERING CODE	INLET SIZE	CASING SIZE	B	C	RDC OUTLET	B	C	RDC OUTLET
HSG8	4,5,6	8	305	254	102,127,152	12	10	4,5,6
HSG10	7,8	10	356	318	178,203	14	12½	7,8
HSG12	9,10	12	406	381	229,254	16	15	9,10
HSG14	12	14	508	445	305	20	17½	12
HSG16	14	16	610	457	355	24	18	14

ALL METRIC DIMENSIONS () ARE SOFT CONVERTED. IMPERIAL DIMENSIONS ARE CONVERTED TO METRIC AND ROUNDED TO THE NEAREST MILLIMETER.

PROJECT:		PRICE [®]	
ENGINEER:		GF	OVERSIZED CASING SDVQ ROUND DISCHARGE COLLAR
CUSTOMER:			
SUBMITTAL DATE:	SPEC. SYMBOL:	2012/03/07	

ORDERING CODE	INLET SIZE	CASING SIZE	MAX L/S	S.I. UNITS mm					
				OUTLET		INLET	LENGTH		
				B	C		A	L1	L2
HSG8	4	8	106	305	254	102	610	816	1660
	5		127						
	6		152						
HSG10	7	10	307	356	318	178	635	816	1660
	8		203						
HSG12	9	12	496	406	381	229	N/A	905	2054
	10		637						
HSG14	12	14	991	508	445	305	N/A	905	2054
HSG16	14	16	1416	610	457	356	N/A	905	2054

ORDERING CODE	INLET SIZE	CASING SIZE	MAX CFM	IMPERIAL UNITS inches					
				OUTLET		INLET	LENGTH		
				B	C		A	L1	L2
HSG8	4	8	225	12	10	4	24	816	1660
	5		5						
	6		6						
HSG10	7	10	650	14	12½	7	25	816	1660
	8		8						
HSG12	9	12	229	16	15	9	N/A	905	2054
	10		10						
HSG14	12	14	2100	20	17½	12	N/A	905	2054
HSG16	14	16	3000	24	18	14	N/A	905	2054



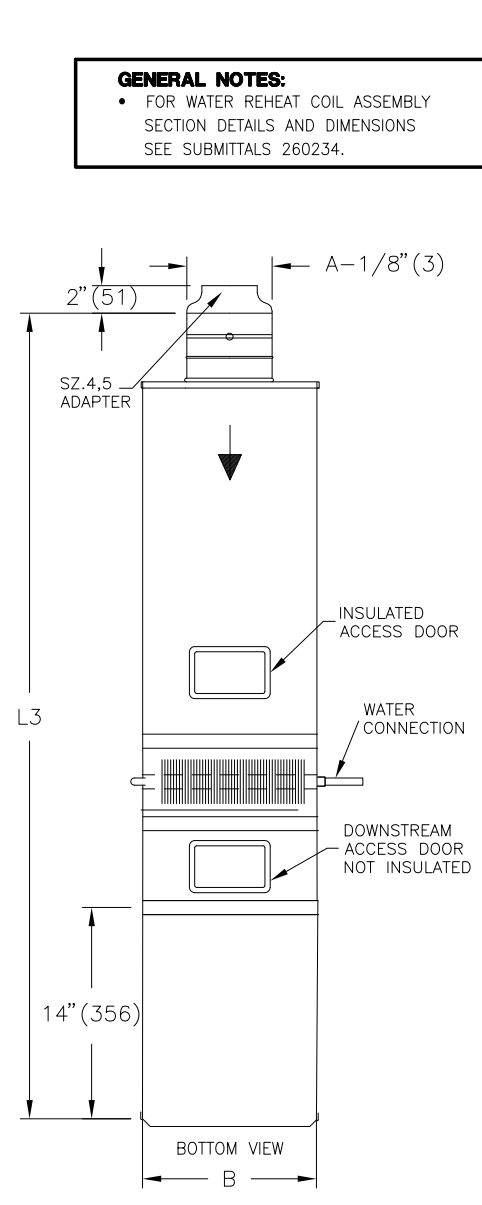
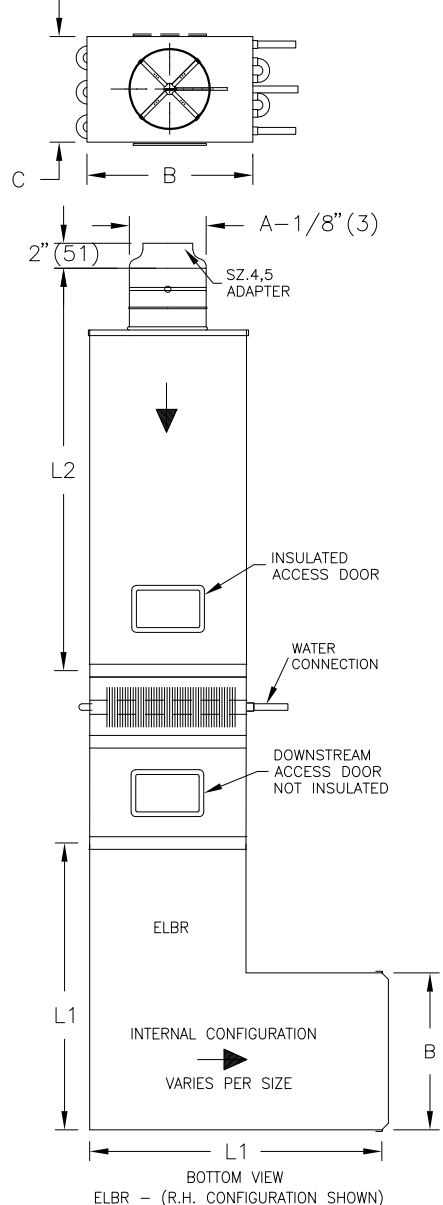
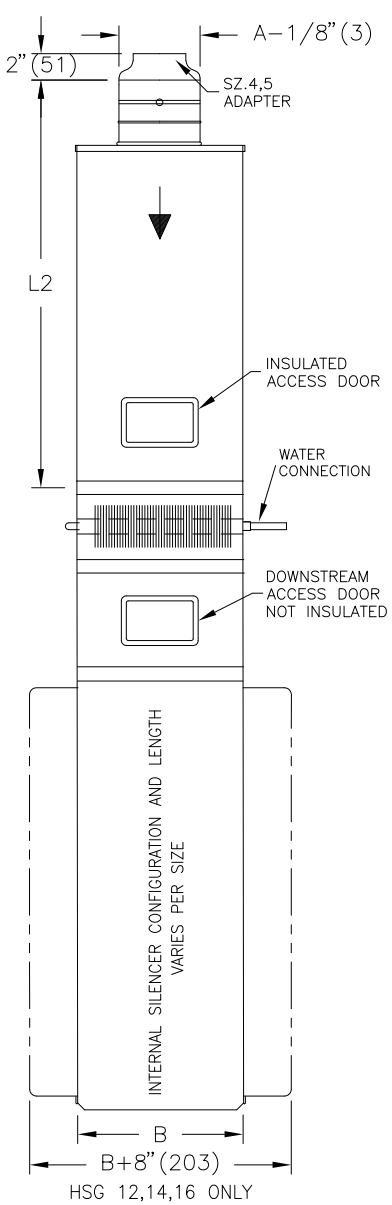
GENERAL NOTES:

- FOR WATER REHEAT COIL ASSEMBLY SECTION DETAILS AND DIMENSIONS SEE SUBMITTALS 260234.

ALL METRIC DIMENSIONS () ARE SOFT CONVERTED. IMPERIAL DIMENSIONS ARE CONVERTED TO METRIC AND ROUNDED TO THE NEAREST MILLIMETER.

PROJECT:		PRICE®
ENGINEER:		
CUSTOMER:		B6
SUBMITTAL DATE:		OVERSIZED CASING
SPEC. SYMBOL:		SDVQ W/ WATER COILS
		260239
		2012/03/07

ORDERING CODE	INLET SIZE	CASING SIZE	MAX L/S	S.I. UNITS mm						IMPERIAL UNITS inches					
				OUTLET		INLET	LENGTH	LENGTH	LENGTH	OUTLET		INLET	LENGTH	LENGTH	LENGTH
				B	C					A	L1				
HSG8	4	8	106	305	254	102	610	816	1660	12	10	4	24	32 ¹ / ₈	65 ³ / ₈
	5		165			127						5			
	6		212			152						6			
HSG10	7	10	307	356	318	178	635	816	1660	14	12 ¹ / ₂	7	25	32 ¹ / ₈	65 ³ / ₈
	8		378			203						8			
HSG12	9	12	496	406	381	229	N/A	905	2054	16	15	9	N/A	35 ⁵ / ₈	80 ⁷ / ₈
	10		637			254						10			
HSG14	12	14	991	508	445	305	N/A	905	2054	20	17 ¹ / ₂	12	N/A	35 ⁵ / ₈	80 ⁷ / ₈
HSG16	14	16	1416	610	457	356	N/A	905	2054	24	18	14	N/A	35 ⁵ / ₈	80 ⁷ / ₈



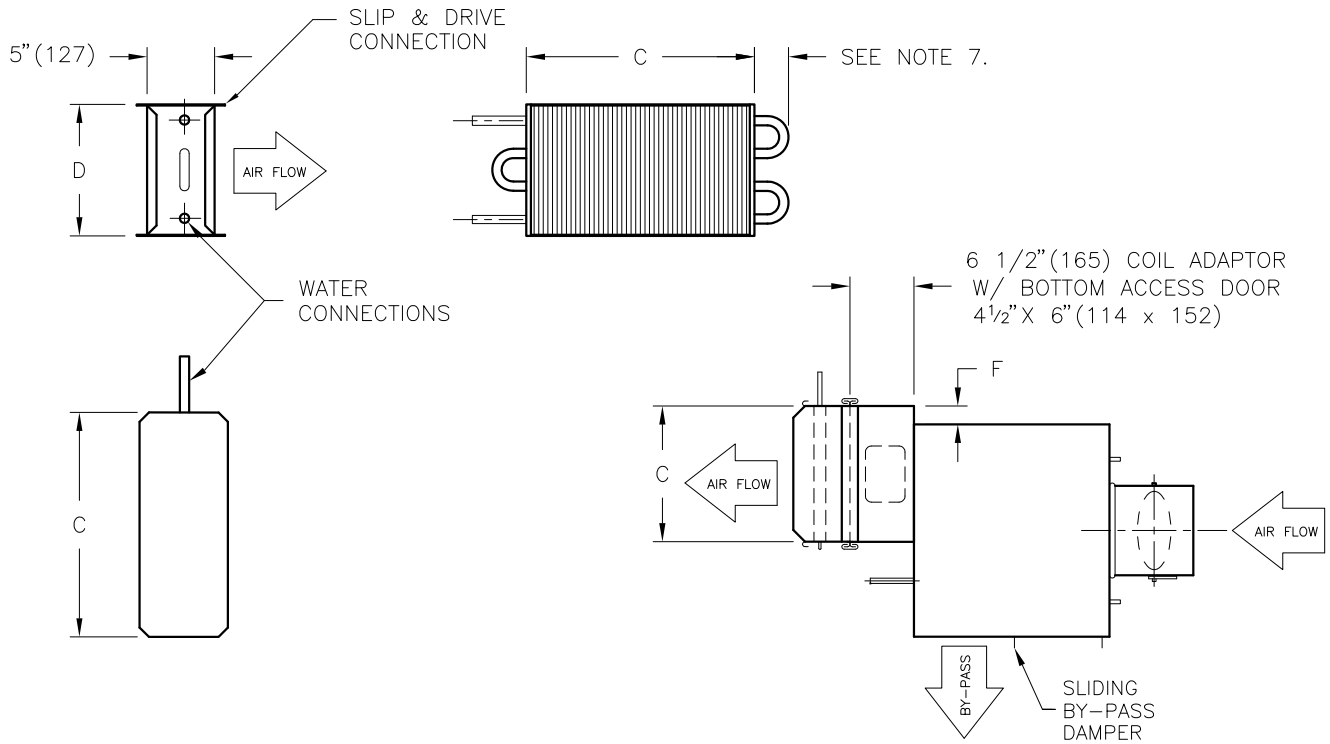
GENERAL NOTES:

- FOR WATER REHEAT COIL ASSEMBLY SECTION DETAILS AND DIMENSIONS SEE SUBMITTALS 260234.

STRAIGHT SILENCER ELBOW SILENCER PACKLESS SILENCER

ALL METRIC DIMENSIONS () ARE SOFT CONVERTED. IMPERIAL DIMENSIONS ARE CONVERTED TO METRIC AND ROUNDED TO THE NEAREST MILLIMETER.

PROJECT:		PRICE [®]	
ENGINEER:			
CUSTOMER:		260239	SDVQ WATER COIL W/ DOUBLE ACCESS
SUBMITTAL DATE:	SPEC. SYMBOL:	2012/03/07	



SI UNITS (mm)

UNIT SIZE	AIR FLOW L/S	C	D	F	COIL CONNECTIONS	
					1 ROW	2 ROW
6	189	305	254	68	13	22
8	330					
10	519	356	318	17	22	22
12	755					
14	991	406	381	17	22	22
16	1321	457	445	68	22	22

IMPERIAL UNITS (inches)

UNIT SIZE	AIR FLOW L/S	C	D	F	COIL CONNECTIONS		SPV UNIT COIL SIZE
					1 ROW	2 ROW	
6	400	12"	10"	2 ¹¹ / ₁₆ "	1/2"	7/8"	7, 8
8	700						
10	1100	14"	12 ¹ / ₂ "	1 ¹ / ₁₆ "	7/8"	7/8"	9, 10
12	1600						
14	2100	16"	15"	1 ¹ / ₁₆ "	7/8"	7/8"	12
16	2800	20"	17 ¹ / ₂ "	2 ¹¹ / ₁₆ "	7/8"	7/8"	14

NOTES:

- 1) UNIT CASING IS CONSTRUCTED OF 22 ga. ZINC COATED STEEL.
- 2) HOT WATER COILS HAVE COPPER TUBES AND ALUMINUM FINNS WITH O.D. SWEAT CONNECTIONS.
- 3) ACCESS TO THE UPSTREAM SIDE OF THE REHEAT COIL IS PROVIDED THROUGH A 4 1/2" X 6" (114 x 152) ACCESS DOOR ON BOTTOM OF COIL ADAPTOR.
- 4) RECTANGULAR DISCHARGE OPENINGS HAVE SLIP AND DRIVE CLEAT DUCT CONNECTIONS.
- 5) METHOD OF VENTING REHEAT COIL IS TO BE PROVIDED BY THE INSTALLING CONTRACTOR.
- 6) HAND OF WATER COIL TO BE DETERMINED BY THE LOCATION OF THE COIL CONNECTIONS WHEN VIEWED FROM THE INLET WITH THE ACCESS DOOR ON THE BOTTOM.(R.H. SHOWN)
- 7) ALLOW 1 1/2" (38) MINIMUM CLEARANCE FOR INSTALLATION ON THIS SIDE.
- 8) WATER COILS ARE FACTORY INSTALLED.

ALL METRIC DIMENSIONS () ARE SOFT CONVERTED. IMPERIAL DIMENSIONS ARE CONVERTED TO METRIC AND ROUNDED TO THE NEAREST MILLIMETER.

PROJECT:		PRICE [®]	
ENGINEER:		BG	LGB LOW PRESSURE BY-PASS WATER COILS
CUSTOMER:		220018	
SUBMITTAL DATE:	SPEC. SYMBOL:	2011/09/16	